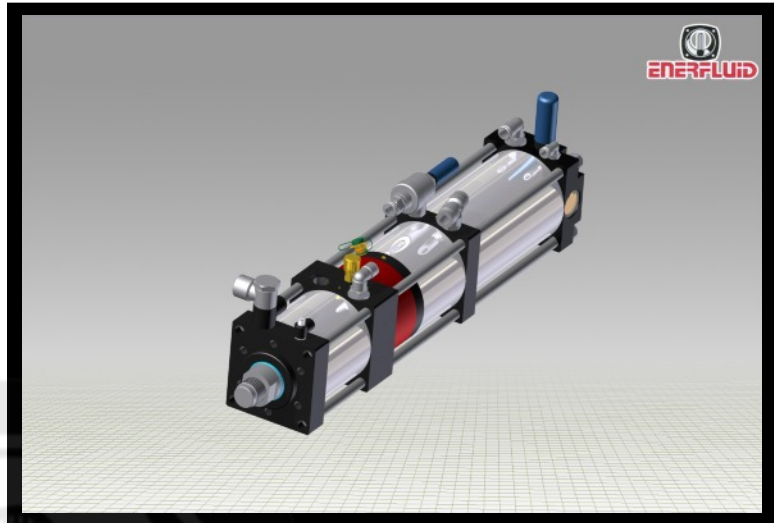


STANDARD POWER UNIT

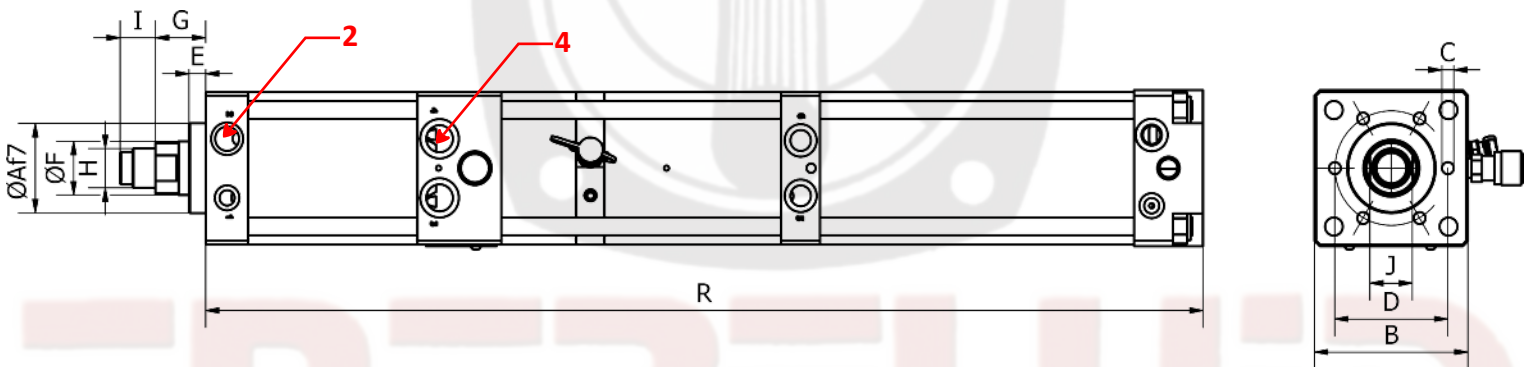
UPS 150 NG



Max Power: 150 KN
Total Stroke : 50 to 200 mm
Work Stroke: 6 or 12 mm
Air pressure : 6 or 9 bars
Approach effort 6 bars : 700 kg
Return effort 6 bars : 618 kg
Model Version 6 bars with 12 mm work stroke is available



ENCOMBREMENT



Version	Stroke mm		Power under 6 bars Power (KN)	DIMENSIONS												
	Total	Work		ØA	B	C	D	E	ØF	G	H	I	J	R	2	4
UPS 6 150	50	6	140	75	136	6M16x25	100	15	50	36	M30x2	25	41	638	G1/2	G1/2
	100													770		
	150													1034		
	200															
UPS 9-150	50	12	90	75	136		100	15	50	36		25	41	638	G1/2	G1/2
	100													770		
	150													1034		
	200															

Under reserves of technical modifications