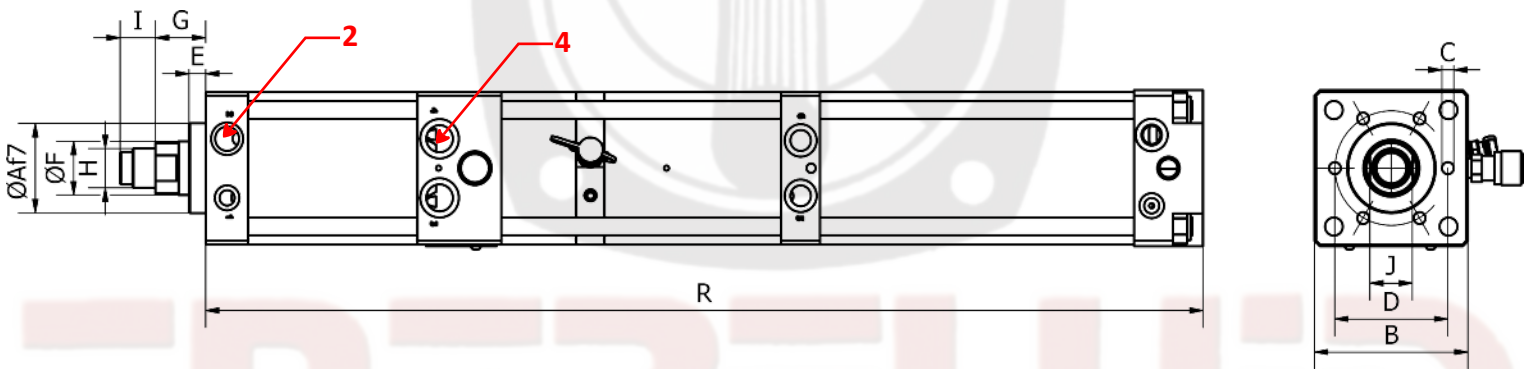
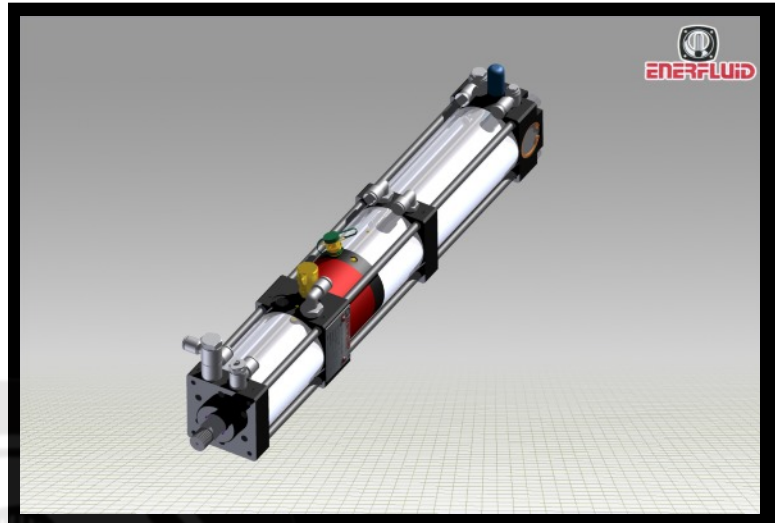


STANDARD POWER UNIT

UPS 20 NG



Max Power: 20 KN
Total Stroke : 32 to 250 mm
Work Stroke: 8 or 12 mm
Air Pressure : 6 or 9 bars
Approach Effort at 6 bars : 182 kg
Return Effort at 6 bars : 168 kg
Model Version 6 bars with 12 mm work stroke
Is available



Version	Stroke mm		Work effort 6 bars Power (KN)	DIMENSIONS												
	Total	Work		ØA	B	C	D	E	ØF	G	H	I	J	R	2	4
UPS 6-20	32	8	19	40	71	6	54	10	20	26	M	15	16	452	G1/4	G1/4
	50													488		
	100													600		
	150													727		
	200													836		
	250													940		
UPS 9-20	32	8	17,5	40	71	8	54	10	20	26	X	15	16	398	G1/4	G1/4
	50													488		
	100													600		
	150	727														
	200	836														
	250	940														

Under reserves of technical modifications