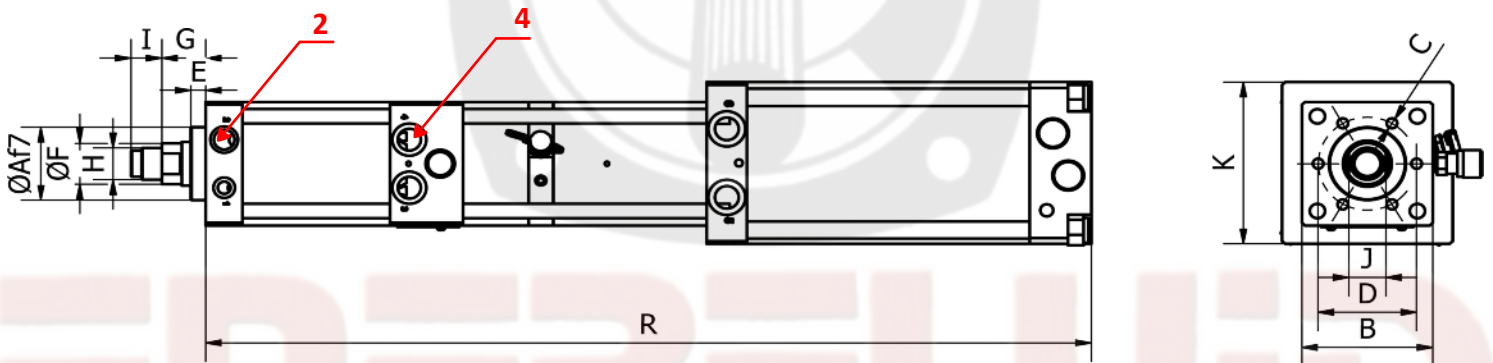
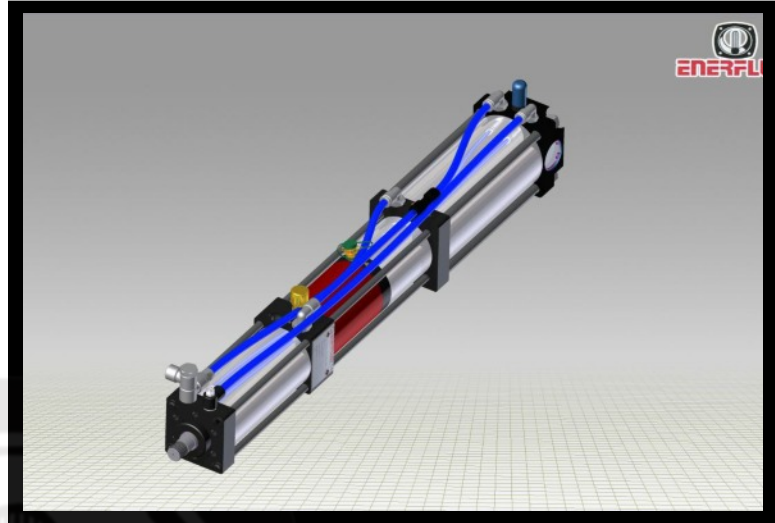


POWER UNIT type H

UPH 20 NG



Max Power: 19 KN
Total Stroke : 50 to 200 mm
Work Stroke: 14 mm
Air pressure : 6 bars
Approach effort at 6 bars : 182 kg
Return effort at 6 bars : 168 kg



Version	Stroke mm		Power under 6 bars Work (KN)	DIMENSIONS													R	2	4
	Total	Work		ØA	B	C	D	E	ØF	G	H	I	J	K					
UPH 6 20	50	14	19	40	71	6M8x12	54	10	20	26	M16x1.5	15	16	87	527	G1/4	G1/4		
	100														639				
	200														873				

Under reserves of technical modifications