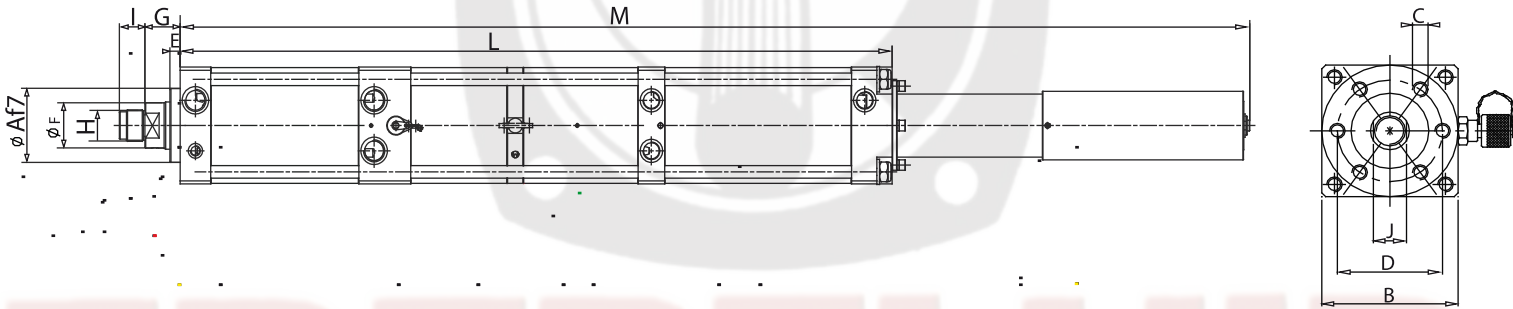


POWER UNIT Version UPR

UPR 20 E



Max Power: 17 KN
Total stroke: 50 to 200 mm
Work Stroke: 6 or 12 mm
Air Pressure : 6 or 9 bars
Approach force 6 bars : 182 kg
Return force 6 bars : 168 kg



Version	Stroke mm		Power under 6 bars Force (KN)	DIMENSIONS																									
	Total	Work		ØA	B	C	D	E	ØF	G	H	I	J	L	M	2	4												
UPR 6 20	50	6	17	40	71	6MBx12	54	10	20	26	M16x1.5	15	16	299	732	G1/4	G1/4												
	100													411	844														
	200													645	1078														
UPR 9 20	50	12	11											40	71			6MBx12	54	10	20	26	M16x1.5	15	16	299	732	G1/4	G1/4
	100																									411	844		
	200																									645	1078		

Under reserves of technical modifications