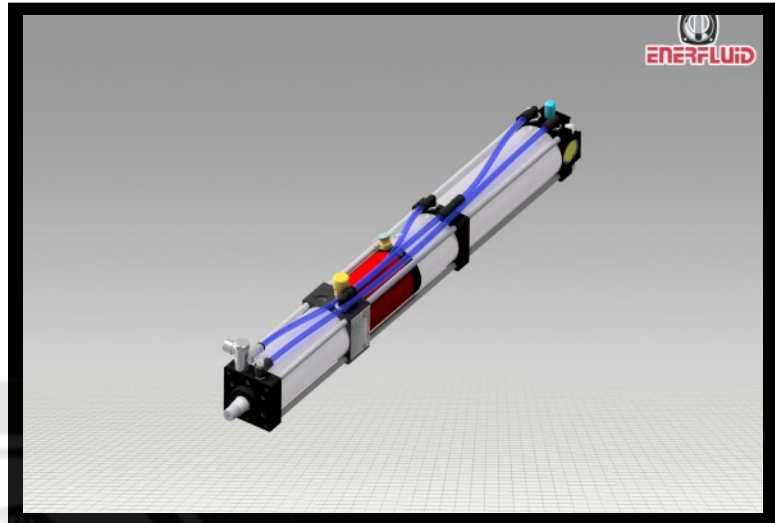


STANDARD POWER UNIT

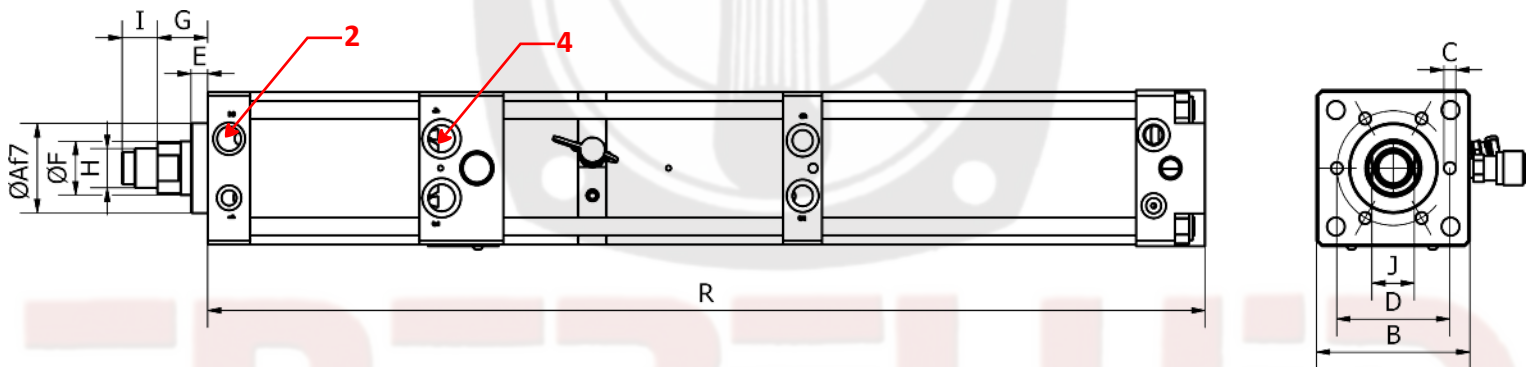
UPS 20-12 NG



Max Power: 20 KN
 Total Stroke : 50 to 250 mm
 Work Stroke: 12 mm
 Air Pressure : 6 bars
 Approach effort 6 bars : 182 kg
 Return effort 6 bars : 168 kg



ENCOMBREMENT



Model	Stroke mm		Force at 6 bar			DIMENSIONS										
	Total	Work	Work(KN)	Approach (daN)	Return (daN)	ØA	B	C	D	E	ØF	G	H	I	J	R
UPS 6-20	50	14	19	182	168	40	71	6 M 8 X 12	54	10	20	26	M 16 X 1.5	15	16	529
	100															641
	150															753
	200															875
	250															992

Under reserves of technical modifications