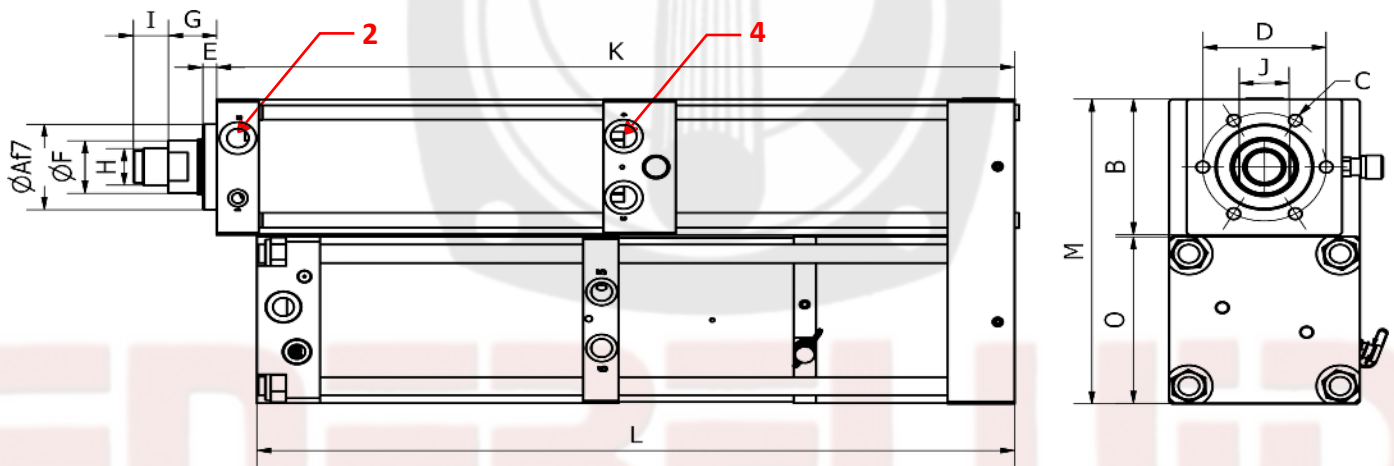
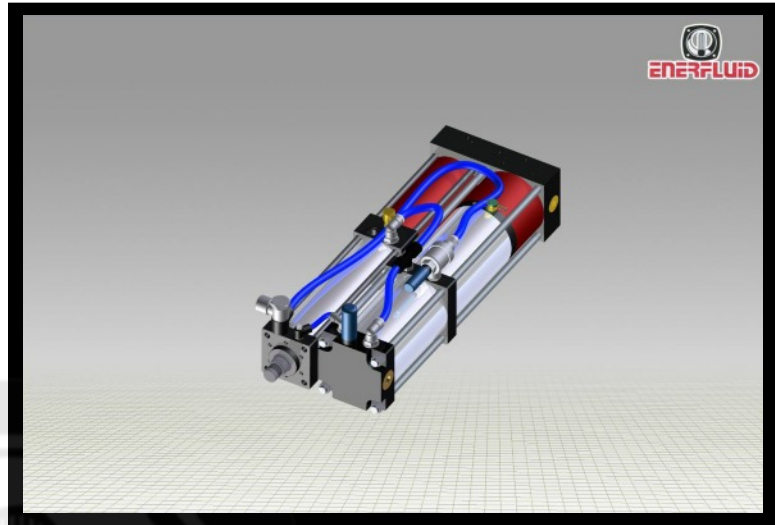


PARALLEL POWER UNIT

UPP 40 NG



Max Power: 40 KN
Total Stroke : 50 to 300 mm
Work Stroke: 10 or 20 mm
Air Pressure: 6 or 9 bars
Approach effort at 6 bars : 250 kg
Return effort at 6 bars : 220 kg



Version	Stroke mm		Power under 6 bars Work (KN)	DIMENSIONS														
	Total	Work		ØA	B	C	D	E	ØF	G	H	I	J	K	L	M	O	2 et 4
UPP 6 40	50	10	40	50	87	6M8x15	64	10	30	28.5	M22x2	20	24			201	111	G3/8
	100																	
	200													558				
	300													753				
UPP 9-40	50	20	24	50	87	6M8x15	64	10	30	28.5	M22x2	20	24			201	111	G3/8
	100																	
	200													558				
	300													753				

Under reserves of technical modifications