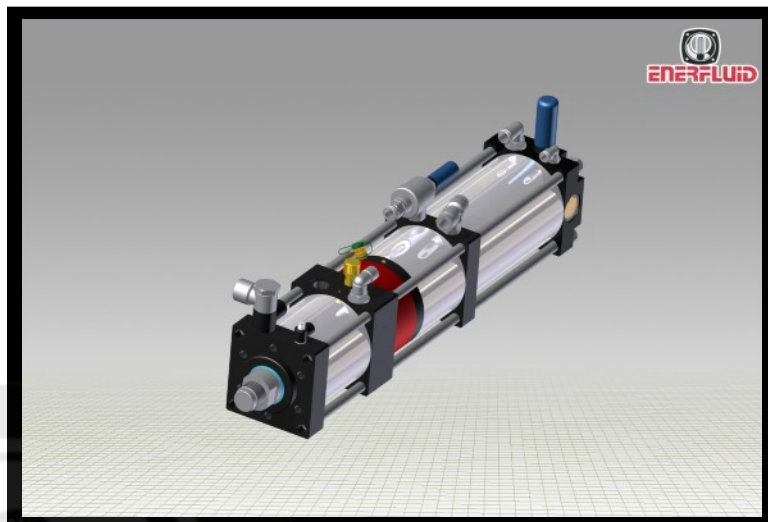


# STANDARD POWER UNIT

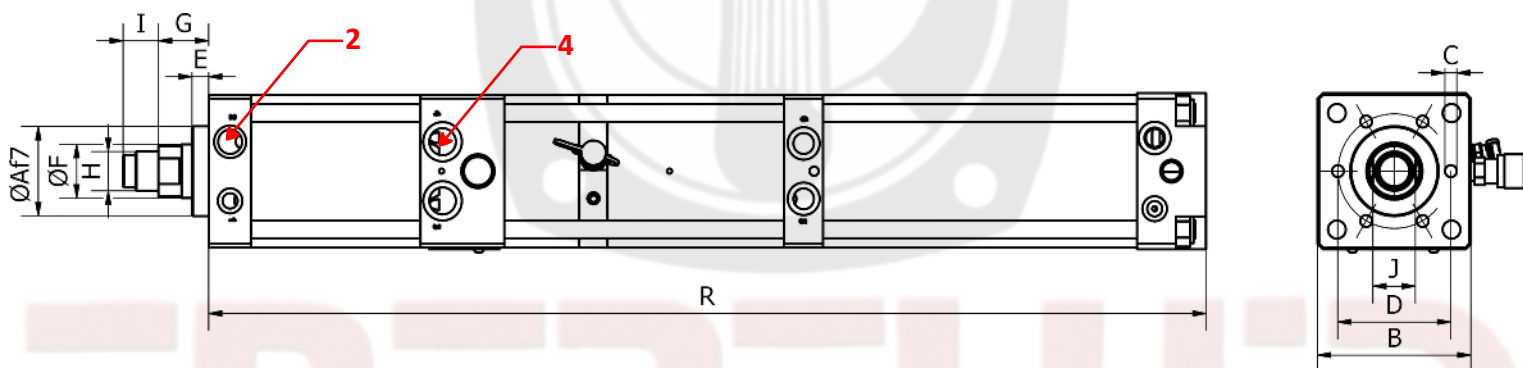
## UPS 150-12 NG



Max Power: 150 KN  
 Total Stroke : 50 to 200 mm  
 Work Stroke: 12 mm  
 Air pressure : 6 bars  
 Approach effort 6 bars : 700 kg  
 Return effort 6 bars : 618 kg



### ENCOMBREMENT



Version	Stroke mm		Power under 6 bars Power (KN)	DIMENSIONS												
	Total	Work		ØA	B	C	D	E	ØF	G	H	I	J	R	2	4
UPS 6 150	50	12	140	75	136	6M16x25	100	15	50	36	M30x2	25	41	724	G1/2	G1/2
	100													854		
	200													1120		

Under reserves of technical modifications