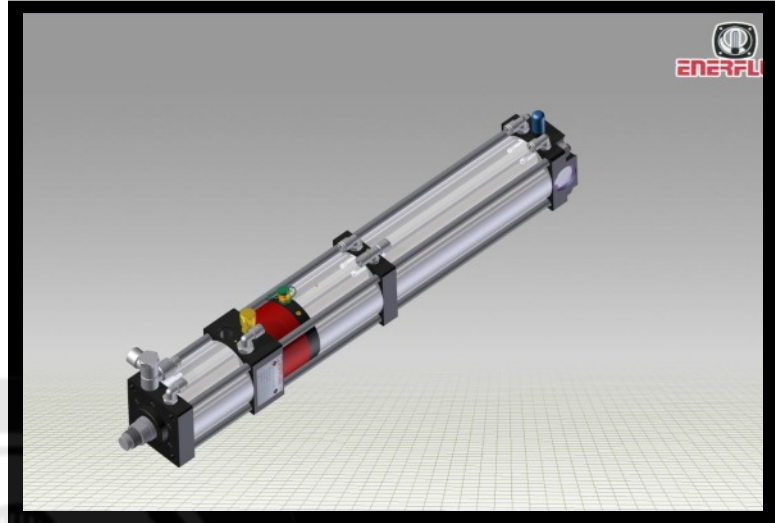


STANDARD POWER UNIT

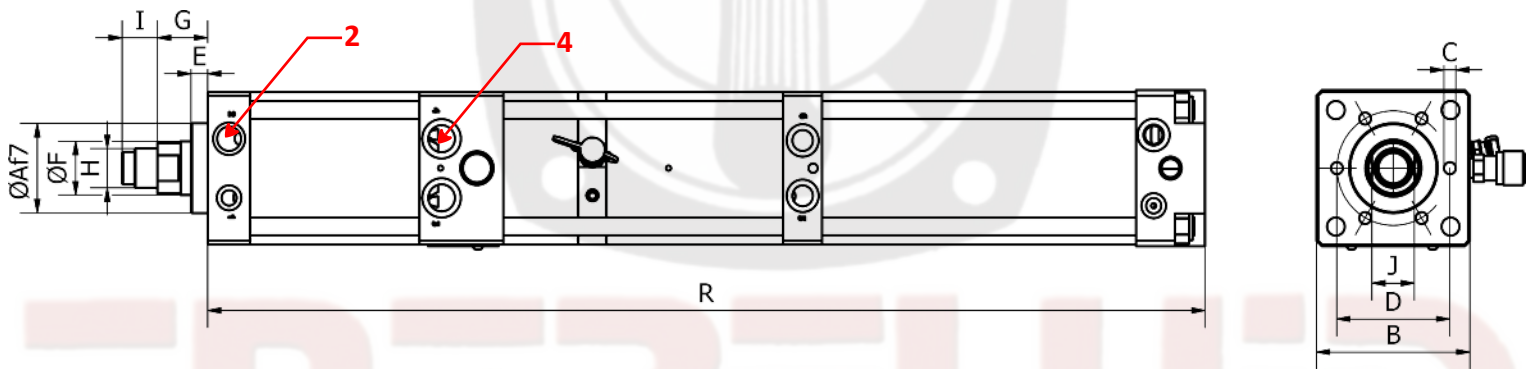
UPS 40-14 NG



Max Power: 40 KN
Total Stroke : 50 to 200 mm
Work Stroke: 14 mm
Air Pressure : 6 bars
Approach effort 6 bars : 250 kg
Return effort 6 bars : 220 kg



ENCOMBREMENT



Model	Stroke in mm		Force at 6 bars Work (KN)	DIMENSIONS												
	Total	Work		ØA	B	C	D	E	ØF	G	H	I	J	R	2	4
UPS 6 40	50	14	35	50	87	6M8x15	64	10	30	28.5	M22x2	20	24	611	G3/8	G3/8
	100													723		
	200													960		

Under reserves of technical modifications