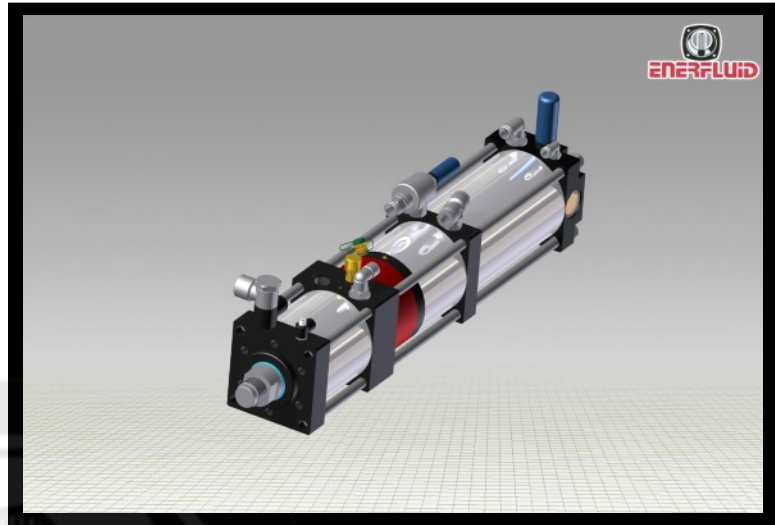


STANDARD POWER UNIT

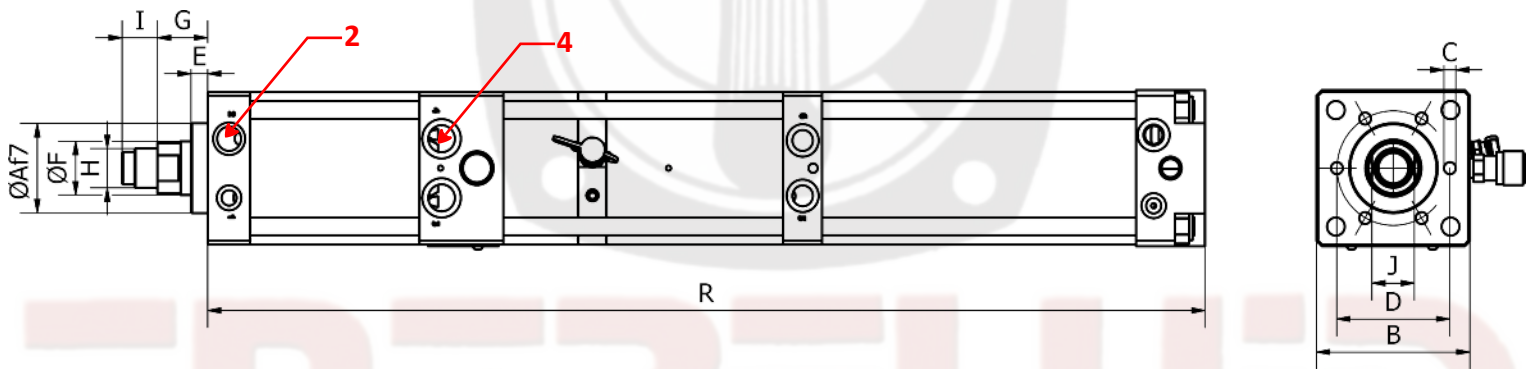
UPS 80-12 NG



Max Power: 80 KN
Total Stroke : 50 to 200 mm
Work Stroke :12 mm
Air Pressure : 6 bars
Approach effort 6 bars : 450 kg
Return effort 6 bars : 375 kg



ENCOMBREMENT



Version	Stroke mm		Power under 6 bars Power (KN)	DIMENSIONS												
	Total	Work		ØA	B	C	D	E	ØF	G	H	I	J	R	2	4
UPS 6 80	50	12	80	70	111	6M10x16	88	10	45	35	M30x2	25	36	663	G1/2	G1/2
	100													787		
	200													1037		

Under reserves of technical modifications