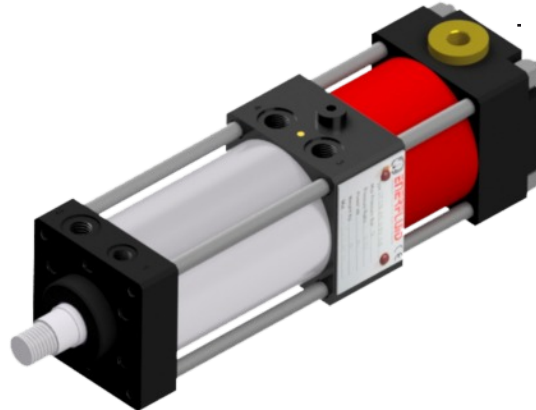
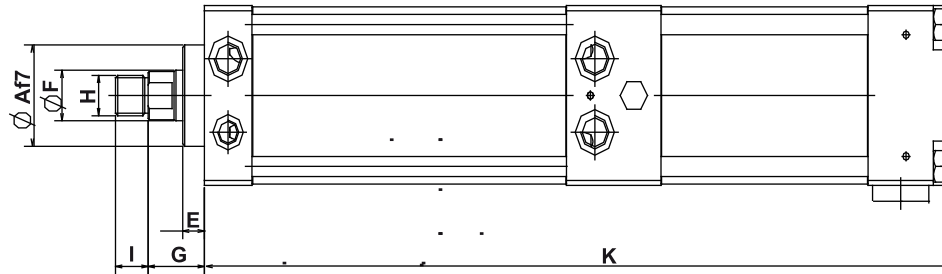
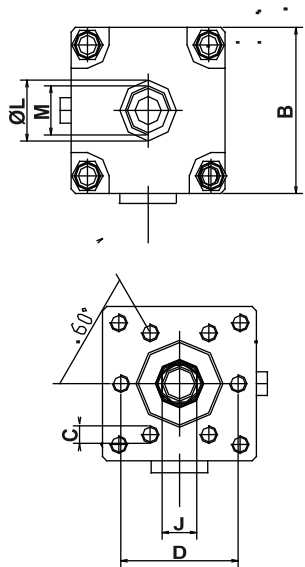


POWER UNIT SHORT UPC 150



Max Power: 150 KN
Total Stroke : 50 to 400 mm

Choice of the multiplier (Power and stroke)
 Value with flexible 1M



UPM	Power to 6 bars (KN)	Sum total stroke Maxi (mm)	Sum Work stroke Maxi (mm)
100-12-22	159	120	5
100-16-39	92	120	9
160-24-64	148	440	15
160-25-45	96	440	35
200-25-146	148	800	36
200-28-180	92	800	60

Model	Stroke en mm		Power at 6 bars (daN)		DIMENSIONS												
	Totale	Travail	Approach (daN)	Return (daN)	ØA	B	C	D	E	ØF	G	H	I	J	K	ØL	M
UPC 150	50		700	590	75	136	6M16X25	100	15	50	35	M30x2	25	41	304	43	G1
	100														404		
	200														604		
	400														1004		

Under reserves of technical modifications