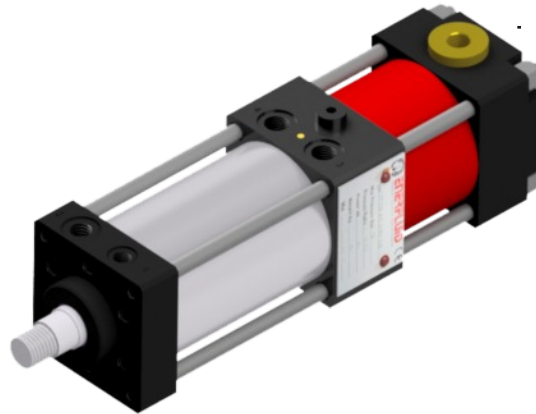
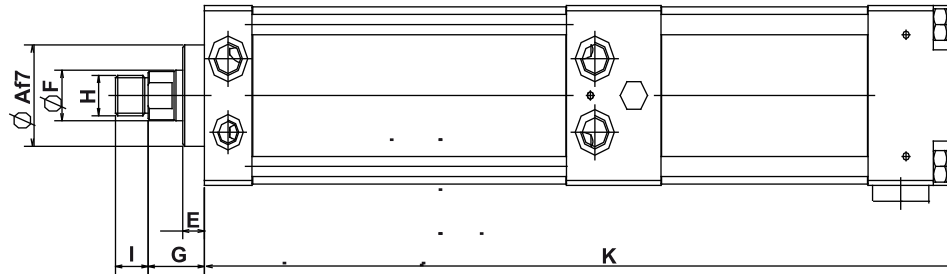
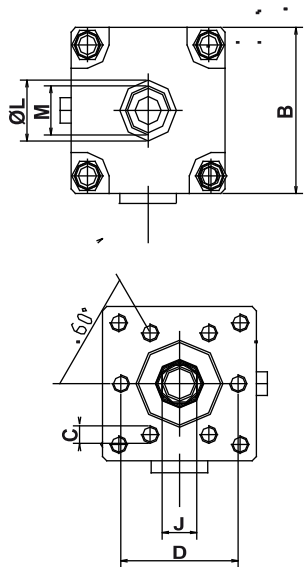


# POWER UNIT SHORT UPC 300



**Max Power: 300 KN**  
**Total Stroke : 50 to 400 mm**

Choice of the multiplier ( Power and stroke)  
 Value with flexible 1M



UPM	Power to 6 bars (KN)	Sum Total Stroke Maxi (mm)	Sum Work Stroke Maxi (mm)
100-12-22	320	58	2
100-16-39	185	58	4
160-24-64	300	215	7
160-25-45	195	215	17
200-25-146	300	390	17
200-28-180	185	390	29

Model	Stroke in mm		Power at 6 bars (daN)		DIMENSIONS												
	Total	Work	Approach (daN)	Return (daN)	ØA	B	C	D	E	ØF	G	H	I	J	K	ØL	M
UPC 300	50		1100	960	100	170	6M20X30	132	18	60	47	M39x2	35	50	360	43	G1
	100														460		
	200														660		
	400														1060		

Under reserves of technical modifications