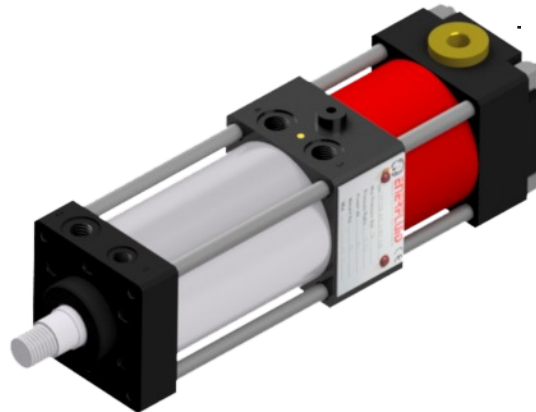
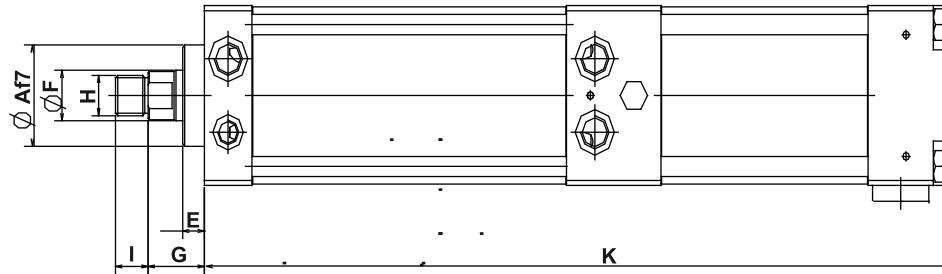
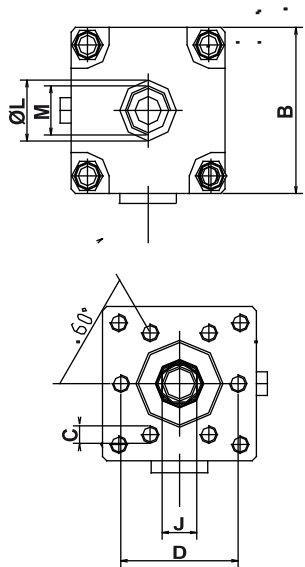


POWER UNIT SHORT UPC 40



Max Power: 40 KN
Total Stroke : 50 to 400 mm

Choice of the multiplier (Power and stroke)
 Value with flexible 1M



UPM	Power to 6 bars (KN)	Sum Total Stroke Maxi (mm)	Sum Work stroke Maxi (mm)
100-12-22	42	450	20
100-16-39	25	450	36
160-24-64	40	1650	60
160-25-45	26	1650	130
200-25-146	40	3000	135
200-28-180	30	3000	180

Model	Stroke in mm		Power at 6 bars (daN)		DIMENSIONS												
	Total	Work	Approach (daN)	Return (daN)	ØA	B	C	D	E	ØF	G	H	I	J	K	ØL	M
UPC 40	50		250	210	50	85	6M8X15	64	10	30	28,5	M22x2	20	24	250	26	G1/2
	100														350		
	200														550		
	400														950		

Under reserves of technical modifications