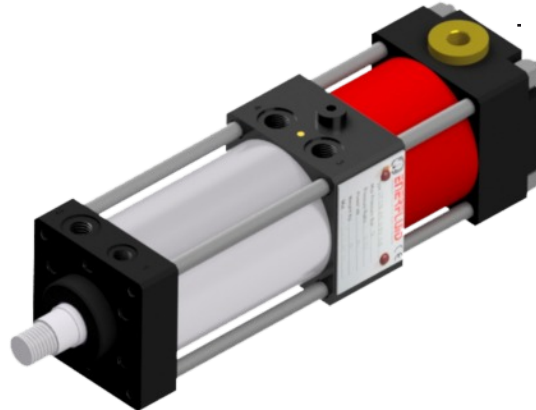
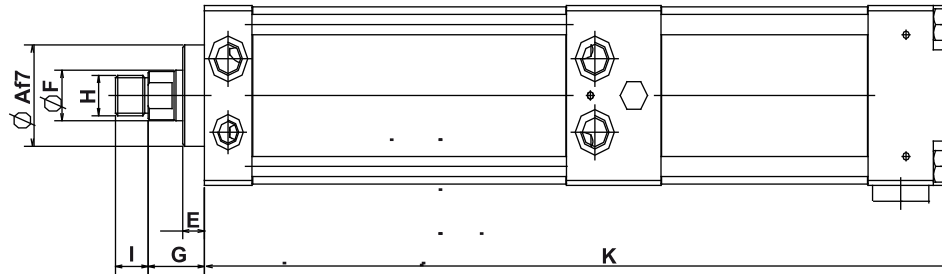
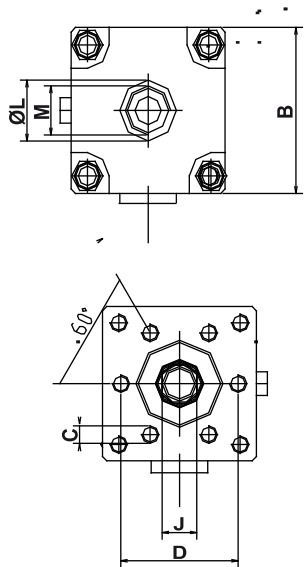


POWER UNIT SHORT UPC 500



Max Power: 500 KN
Total Stroke : 50 to 400 mm

Choice of the multiplier (Power and stroke)
 Value with flexible 1M



UPM	Power to 6 bars (KN)	Sum Total Stroke Maxi (mm)	Sum Work Stroke Maxi (mm)
100-12-22	500	35	1,5
100-16-39	290	35	3
160-24-64	470	140	5
160-25-45	290	140	11
200-25-146	470	250	11
200-28-180	290	250	18

Model	Stroke in mm		Power at 6 bars (daN)		DIMENSIONS												
	Total	Work	Approach (daN)	Return (daN)	ØA	B	C	D	E	ØF	G	H	I	J	K	ØL	M
UPC 500	50		1884	1685	115	212	8M20X30	150	25	65	52	M42x2	40	55	386	43	G1
	100														486		
	200														686		
	400														1086		

Under reserves of technical modifications