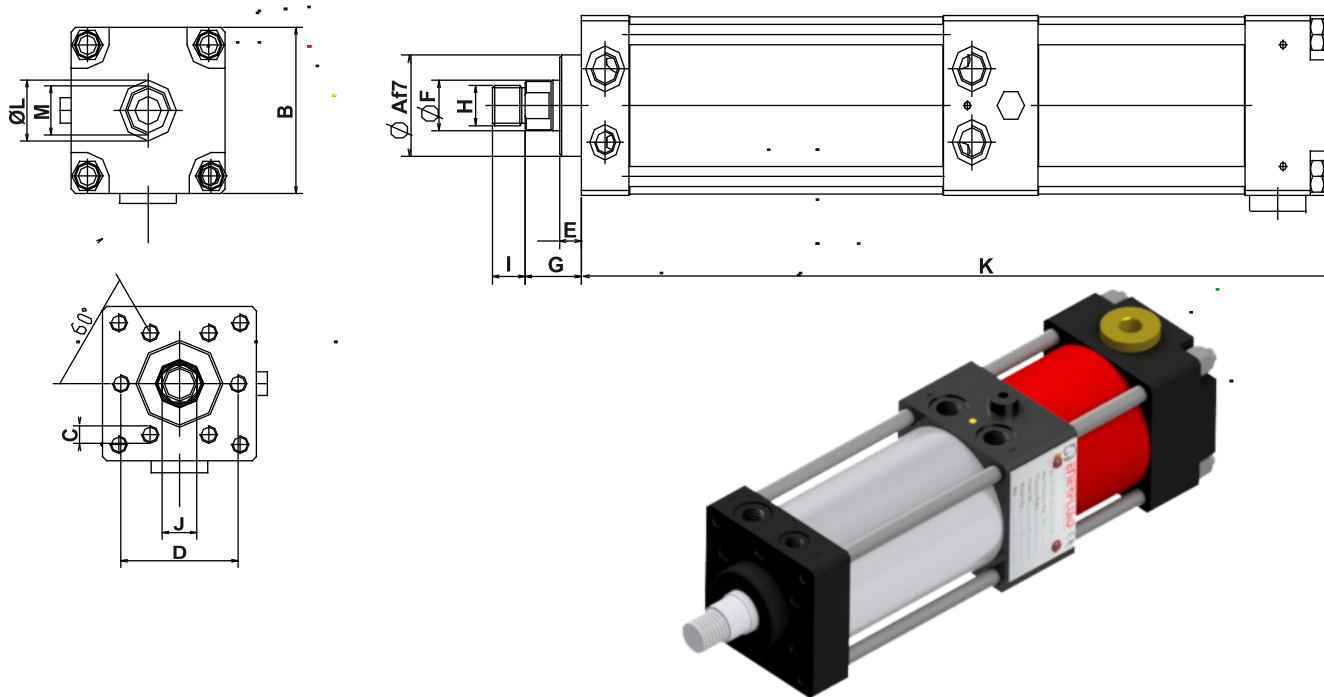


POWER UNIT SHORT UPC 80



Max Power: 80 KN
Total Stroke : 50 to 400 mm

Choice of the multiplier (Power and stroke)
 Value with flexible 1M



UPM	Power to 6 bars (KN)	Sum Total Stroke Maxi (mm)	Sum Work Stroke Maxi (mm)
100-12-22	83	200	9
100-16-39	48	200	16
160-24-64	76,5	700	26
160-25-45	50,2	700	60
200-25-146	76,5	1500	60
200-28-180	48	1500	100

Model	Stroke in mm		Power at 6 bars (daN)		DIMENSIONS												
	Total	Work	Approach (daN)	Return (daN)	ØA	B	C	D	E	ØF	G	H	I	J	K	ØL	M
UPC 80	50		450	360	70	111	6M10X16	88	10	45	35	M30x2	25	36	277	43	G3/4
	100														377		
	200														577		
	400														977		

Under reserves of technical modifications