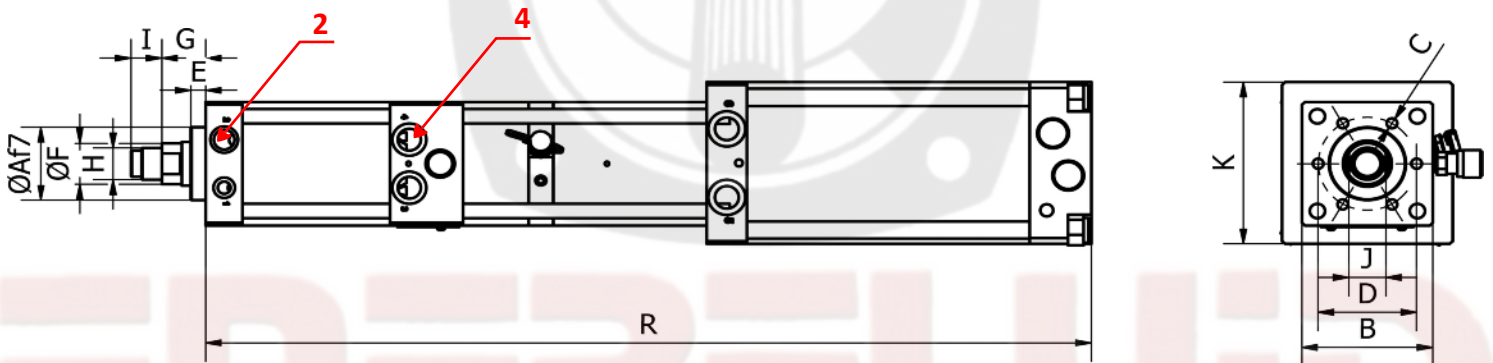
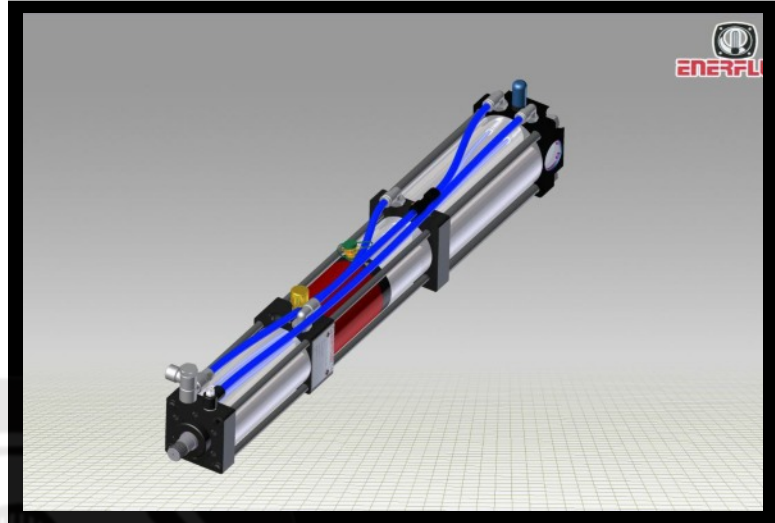


POWER UNIT type H

UPH 20 NG



Max Power: 17 KN
Total Stroke : 50 to 200 mm
Work Stroke: 26 and 45 mm
Air pressure : 9 bars
Approach effort at 6 bars : 182 kg
Return effort at 6 bars : 168 kg



Version	Stroke mm		Power under 6 bars Work (KN)	DIMENSIONS											R	2	4
	Total	Work		ØA	B	C	D	E	ØF	G	H	I	J	K			
UPH 9-20	50	26	11	40	71	6M8x12	54	10	20	26	M16x1,5	15	16	87	529	G1/4	G1/4
	100														641		
	200														875		
UPH 9-20	50	45	11	40	71		54	10	20	26		15	16	111	547	G1/4	G1/4
	100														641		
	200														875		

Under reserves of technical modifications