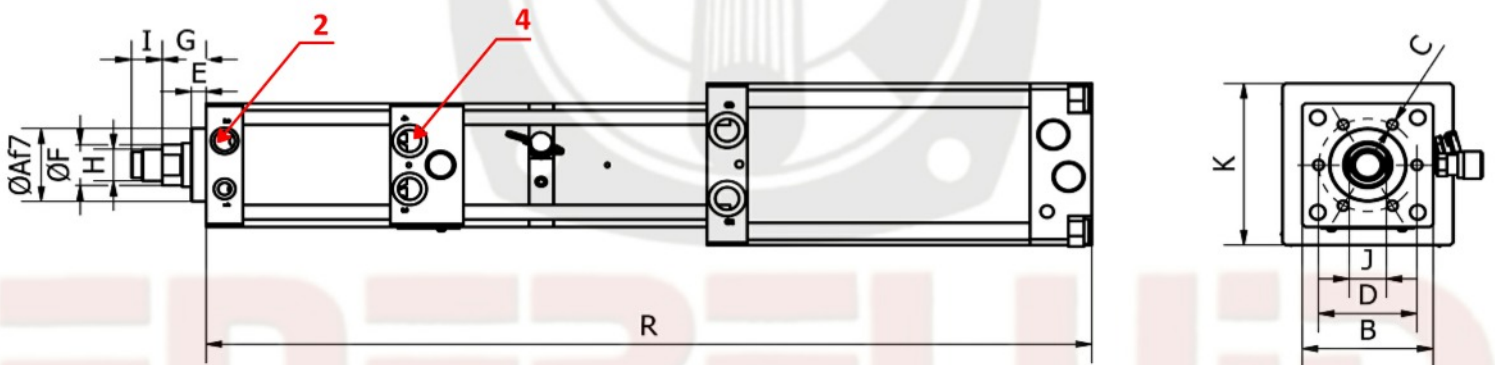
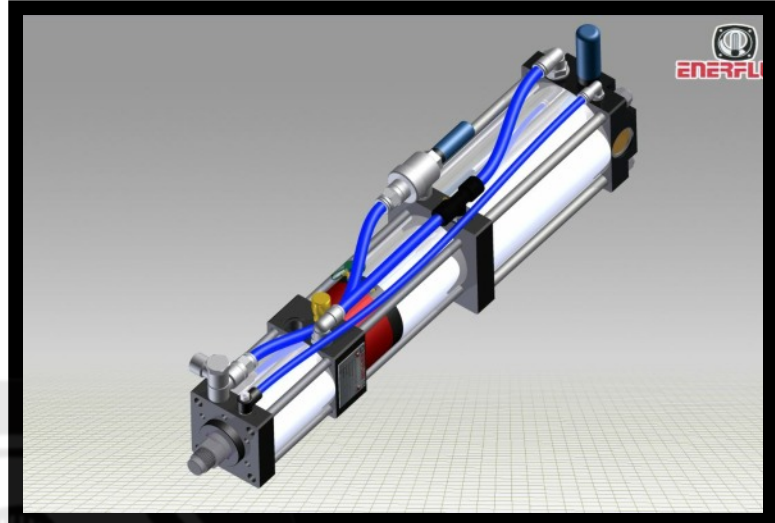


POWER UNIT type H

UPH 40 NG



Max Power: 40 KN
Total Stroke : 50 to 200 mm
Work Stroke: 26 and 45 mm
Air Pressure : 9 bars
Approach effort at 6 bars : 250 kg
Return effort at 6 bars : 220 kg



Version	Stroke mm		Power under 6 bars Work (KN)	DIMENSIONS													2	4
	Total	Work		ØA	B	C	D	E	ØF	G	H	I	J	K	R			
UPH 9-40	50	26	23,6	50	87	6M8x15	64	10	30	28.5	M22x2	20	24	111	576	G3/8	G3/8	
	100														688			
	200														925			
UPH 9-40	50	45	23,6	50	87	6M8x15	64	10	30	28.5	M22x2	20	24	136	604	G3/8	G3/8	
	100														716			
	200														953			

Under reserves of technical modifications