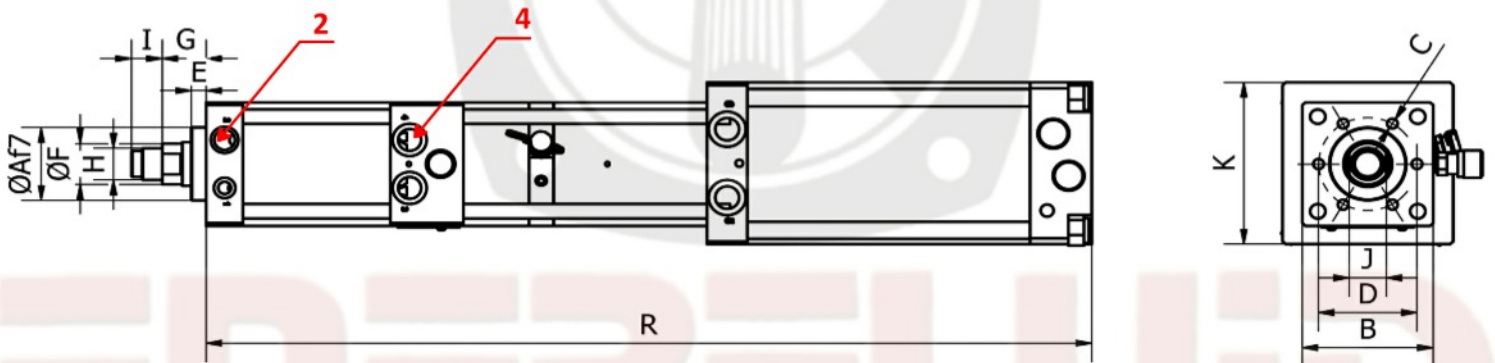
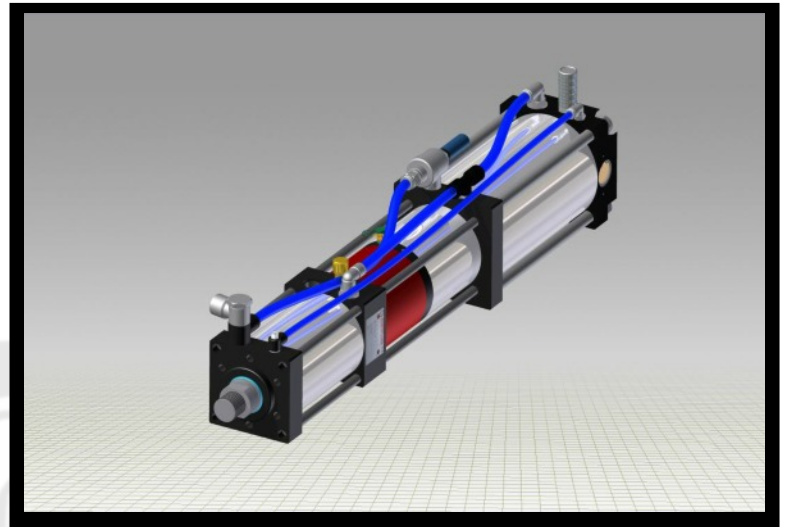


POWER UNIT type H

UPH 80 NG



Max Power: 70 KN
Total Stroke : 50 to 200 mm
Work Stroke: 26mm
Air pressure : 9 bars
Approach effort at 6 bars : 450 kg
Return effort at 6 bars : 375 kg



Version	Stroke mm		Work 6 bars Force (KN)	DIMENSIONS											R	2	4
	Total	Work		ØA	B	C	D	E	ØF	G	H	I	J	K			
UPH 9-80	50	26	46	70	111	6M10x16	88	10	45	35	M30x2	25	36	136	631	G1/2	G1/2
	100														755		
	200														1005		

Under reserves of technical modifications