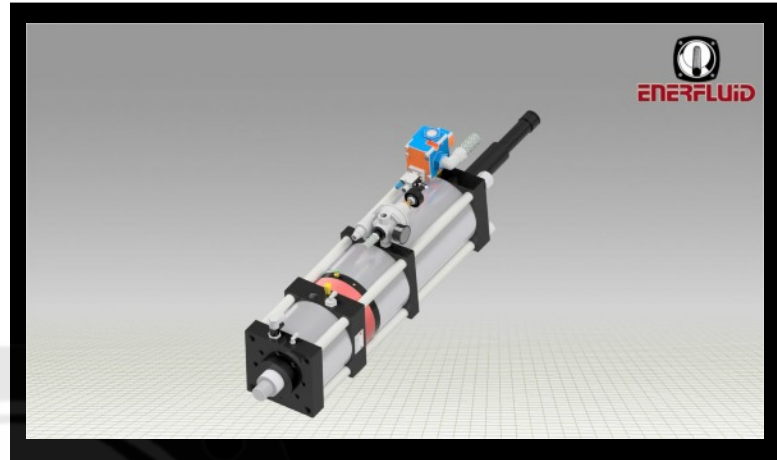


POWER UNIT Version R

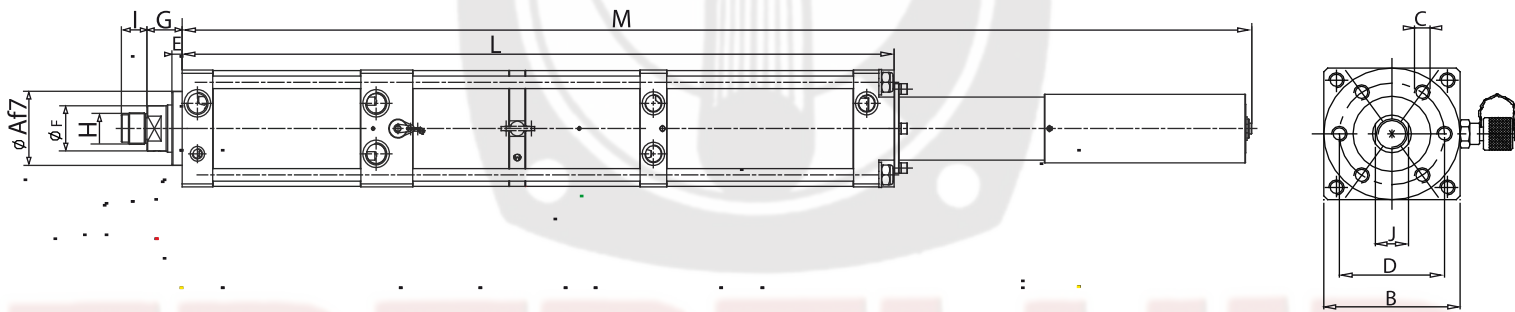
UPR 150 E



Max Power: 137 KN
Total stroke : 50 to 200 mm
Work Stroke: 6 or 12 mm
Air Pressure : 6 or 9 bars
Approach force 6 bars : 700 kg
Return force 6 bars : 618 kg
With work stroke regulator



ENCOMBREMENT



Version	Stroke mm		Power under 6 bars Force (KN)	DIMENSIONS																									
	Total	Work		ØA	B	C	D	E	ØF	G	H	I	J	L	M	2	4												
UPR 6 150	50	6	137	75	136	6M16x25	100	15	50	36	M30x2	25	41	638	1051	G3/8	G3/8												
	100													770	1183														
	200													1034	1447														
UPR 9 150	50	12	87											75	136			6M16x25	100	15	50	36	M30x2	25	41	638	1051	G3/8	G3/8
	100																									770	1183		
	200																									1034	1447		

Under reserves of technical modifications