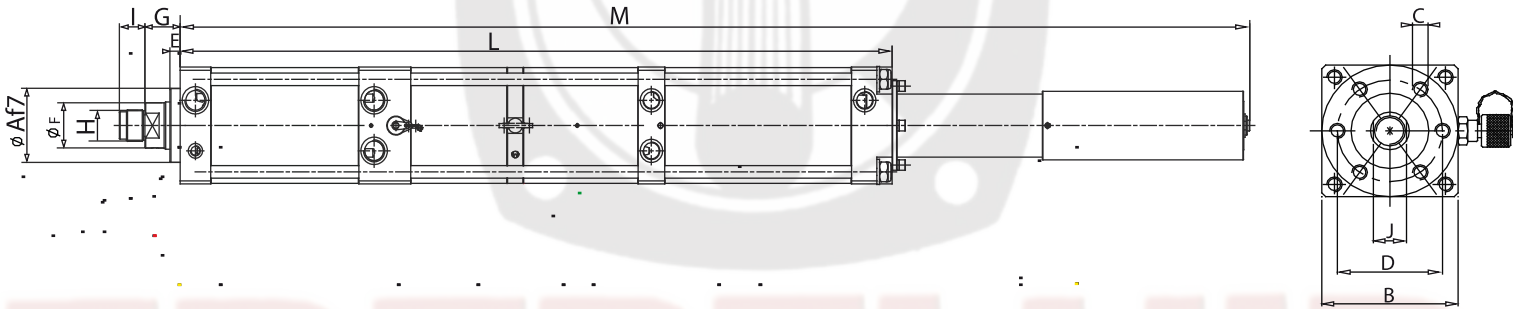


POWER UNIT Version R

UPR 40 E



Max Power: 34 KN
Total stroke : 50 to 200 mm
Work Stroke: 6 or 12 mm
Air Pressure : 6 or 9 bars
Approach force 6 bars : 250 kg
Return force 6 bars : 220 kg
With work stroke regulator



| Version | Stroke mm | | Power under 6 bars Force (KN) | DIMENSIONS | | | | | | | | | | | | | | | | | | | | | | | | | |
|----------|-----------|------|----------------------------------|------------|----|--------|----|----|----|------|-------|----|----|-----|------|------|------|--------|----|----|----|------|-------|----|----|-----|------|------|------|
| | Total | Work | | ØA | B | C | D | E | ØF | G | H | I | J | L | M | 2 | 4 | | | | | | | | | | | | |
| UPR 6 40 | 50 | 6 | 33 | 50 | 87 | 6M8x15 | 64 | 10 | 30 | 28,5 | M22x2 | 20 | 24 | 337 | 891 | G1/4 | G1/4 | | | | | | | | | | | | |
| | 100 | | | | | | | | | | | | | 449 | 1003 | | | | | | | | | | | | | | |
| | 200 | | | | | | | | | | | | | 686 | 1240 | | | | | | | | | | | | | | |
| UPR 9 40 | 50 | 12 | 23 | | | | | | | | | | | 50 | 87 | | | 6M8x15 | 64 | 10 | 30 | 28,5 | M22x2 | 20 | 24 | 337 | 891 | G1/4 | G1/4 |
| | 100 | | | | | | | | | | | | | | | | | | | | | | | | | 449 | 1003 | | |
| | 200 | | | | | | | | | | | | | | | | | | | | | | | | | 686 | 1240 | | |

Under reserves of technical modifications