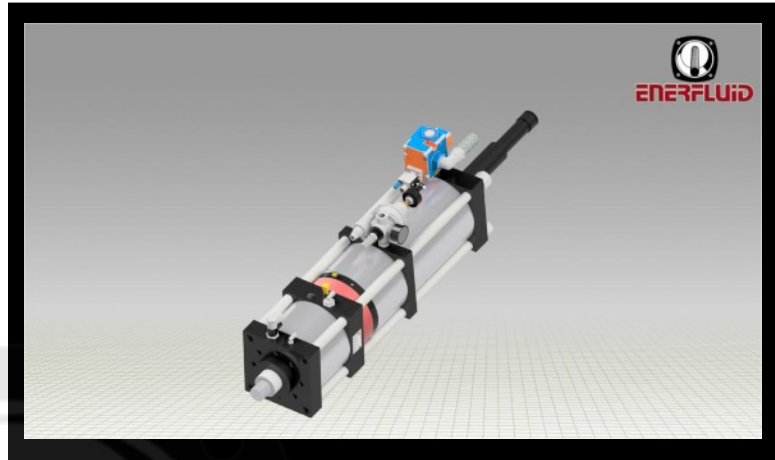


# POWER UNIT Version R

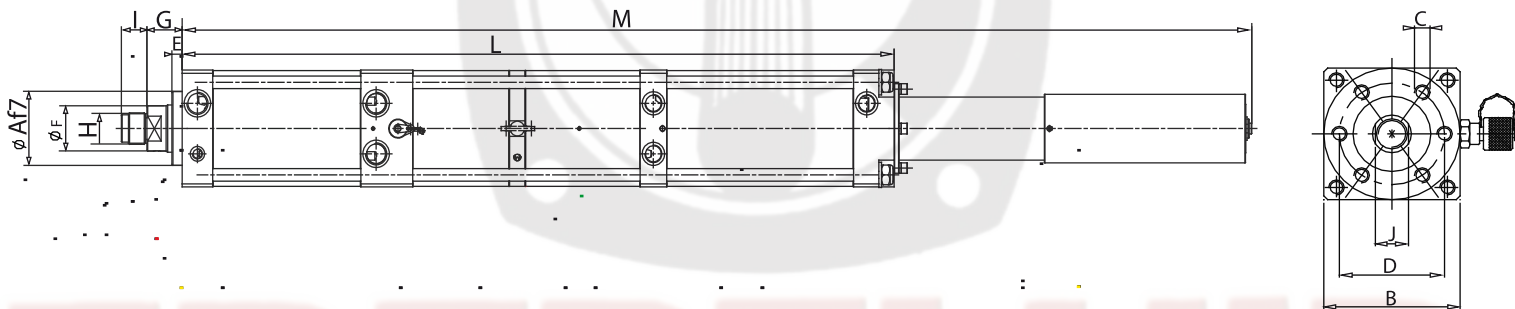
## UPR 80 E



**Max Power: 79 KN**  
**Total stroke : 50 to 200 mm**  
**Work Stroke: 6 or 12 mm**  
**Air Pressure : 6 or 9 bars**  
**Approach force 6 bars : 450 kg**  
**Return force 6 bars : 375 kg**  
**With work stroke regulator**



### ENCOMBREMENT



Version	Stroke mm		Power under 6 bars Force (KN)	DIMENSIONS																									
	Total	Work		ØA	B	C	D	E	ØF	G	H	I	J	L	M	2	4												
UPR 6 80	50	6	79	70	111	6M10x16	88	10	45	35	M30x2	25	36	577	922	G3/8	G3/8												
	100													701	1046														
	200													951	1296														
UPR 9 80	50	12	44											70	111			6M10x16	88	10	45	35	M30x2	25	36	577	922	G3/8	G3/8
	100																									701	1046		
	200																									951	1296		

Under reserves of technical modifications