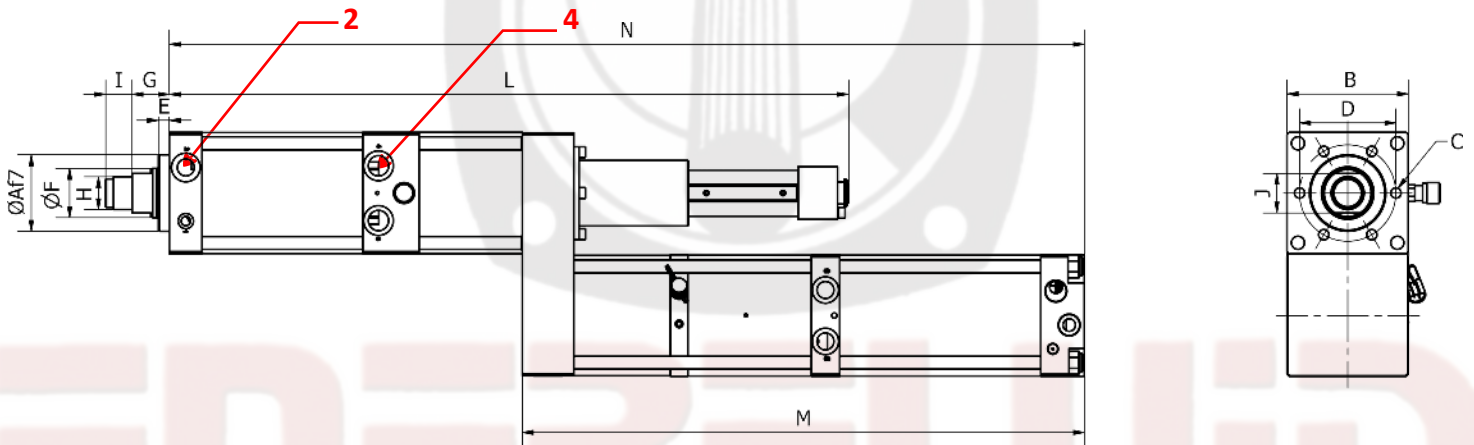
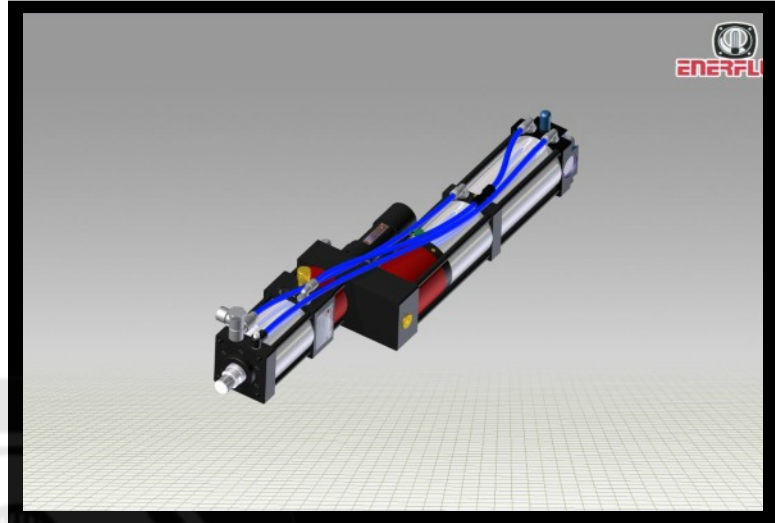


POWER UNIT FORM Z

UPZ 40 NG



Max Power: 27 KN
Total Stroke : 50 to 100 mm
Work Stroke: 6 or 12 mm
Air Pressure : 6 or 9 bars
Approach effort at 6 bars : 250 kg
Return effort at 6 bars : 220 kg



Version	Stroke mm		Power under 6 bars Work (KN)	DIMENSIONS										2 et 4			
	Total	Work		ØA	B	C	D	E	ØF	G	H	I	J		L	M	N
UPZ 6 40	50	6	27	50	87	6M8x15	64	10	30	28.5	M22x2	20	24	415	440	650	G3/8
	100													616	440	750	
UPZ 9-40	50	12		50	87	6M8x15	64	10	30	28.5	M22x2	20	24	415	440	650	G3/8
	100													616	440	750	

Under reserves of technical modifications