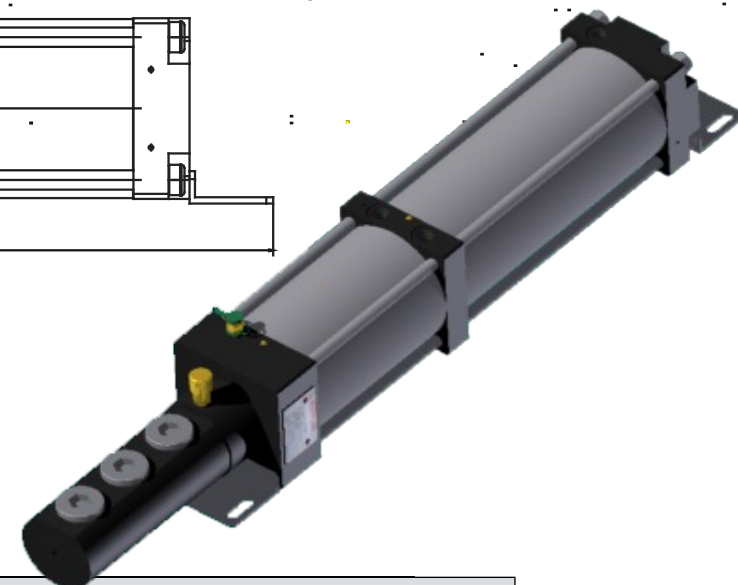
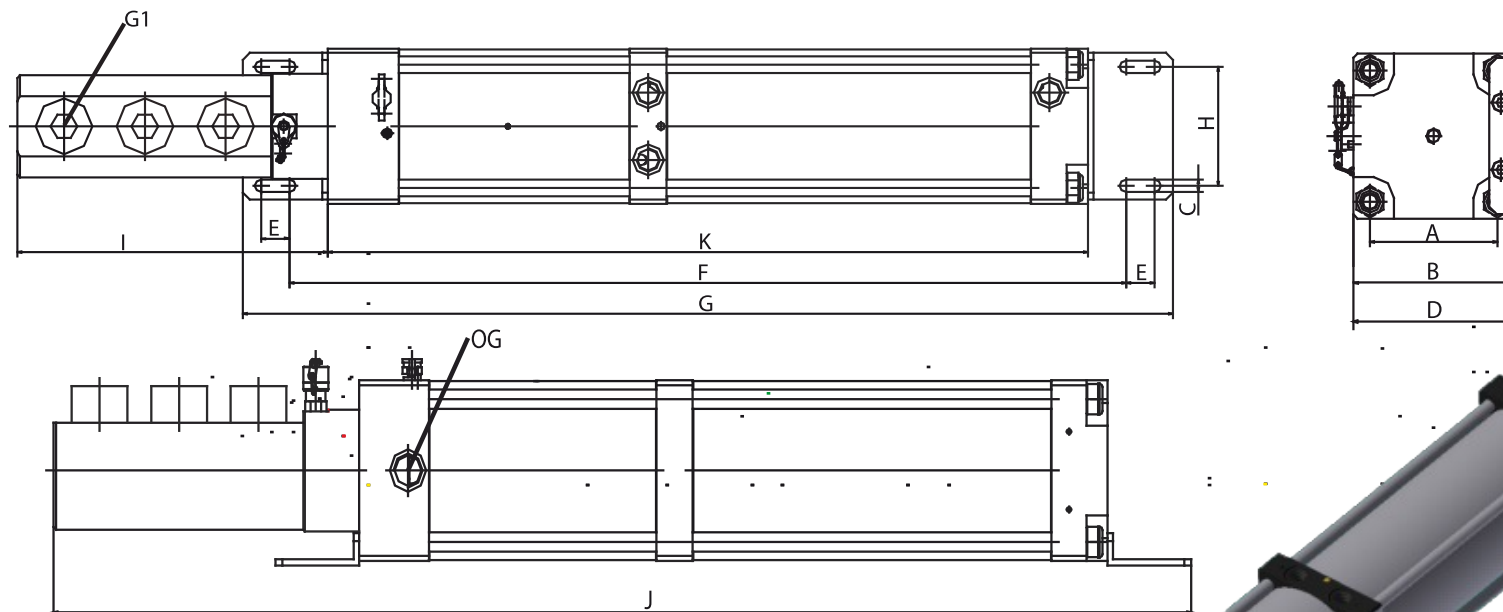


# MULTIPLIER POWER UNIT UPM 160



Model	Multiplication ratio	DIMENSIONS											
		A	B	C	D	E	F	G	H	I	J	K	OG
UPM 160 20 64	1/64	138	170	9	173	20	831	897	85	315	1149	777	G3/4
UPM 160 25 145	1/41												

Under reserves of technical modifications