

# PRESSURE MULTIPLIER TYPE 160.70.XX RP



## APPLICATIONS:

Any application requiring the transfer of a capacity of oil determined in high pressure.

## PNEUMATIC COMMAND:

H Opening G3/8 for version simple effect (RM)

H/H' Opening G3/8 for version double effet (RP)

it is recommended to choose the double effect when we look a stake In the rest frank.

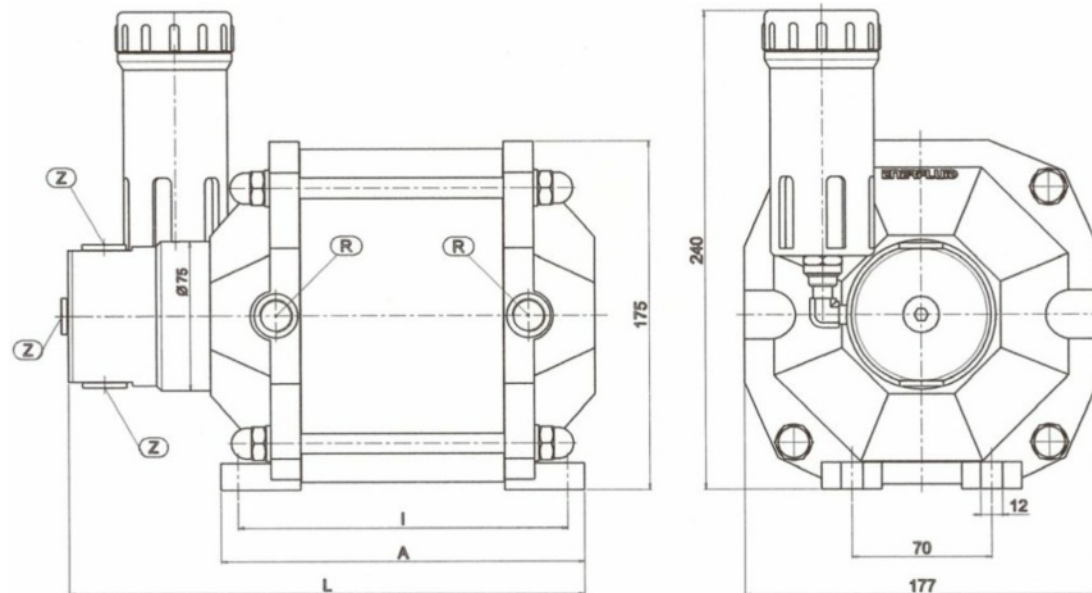
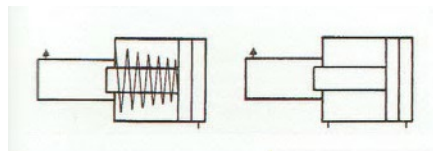
## HIGH PRESSURE HYDRAULIC

K opening (G1/4) intended mainly for the control ( taken by pressure, Manometer, G Opening (G3/8) of power

## MAJORITIES:

Assembly in all the position with reservoir of compensation (L) vertical or separated from multiplier.

## SYMBOL



Model	Type of Return		Pressure Ratio	Oil pressure with air		Oil flow cm <sup>3</sup>	DIMENSIONS					
	RM	RP		8 bars	6 bars		A	I	L	R	Z	Z'
160.70.05		X	1/5	40	30	160	180	165	263	G3/8	G3/8	G1/4
160.70.15		X					280	265	463			

Under reserves of technical modifications