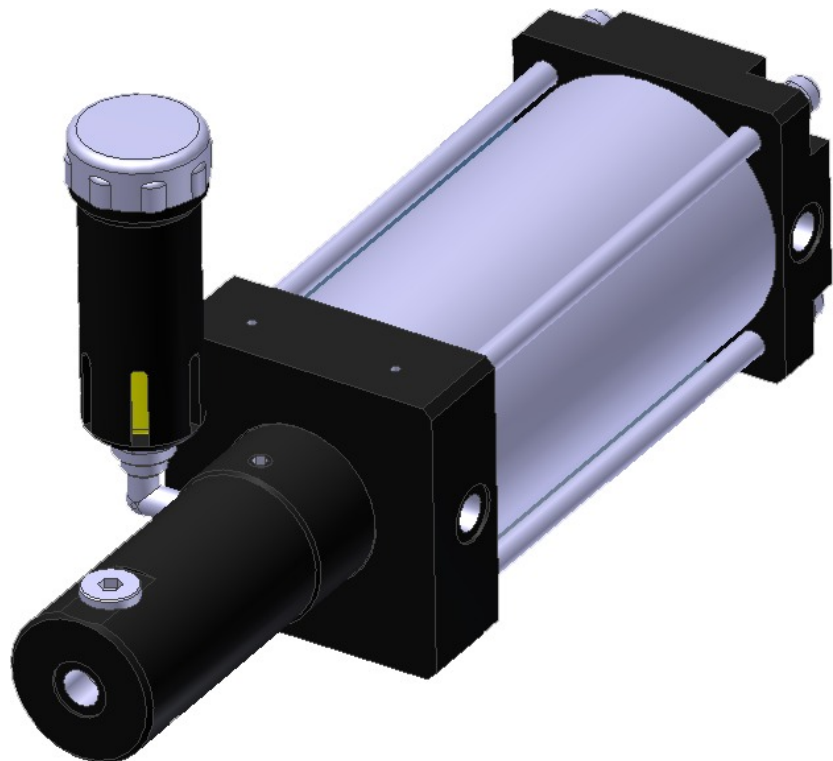


AIR/OIL PRESSURE MULTIPLIER TYPE 80



APPLICATIONS:

Any application requiring the transfer of a capacity of oil determined in high pressure.

PNEUMATIC COMMAND:

H Opening G1/4 for version simple effect (RM)

H/H' Opening G1/4 for version double effet (RP)

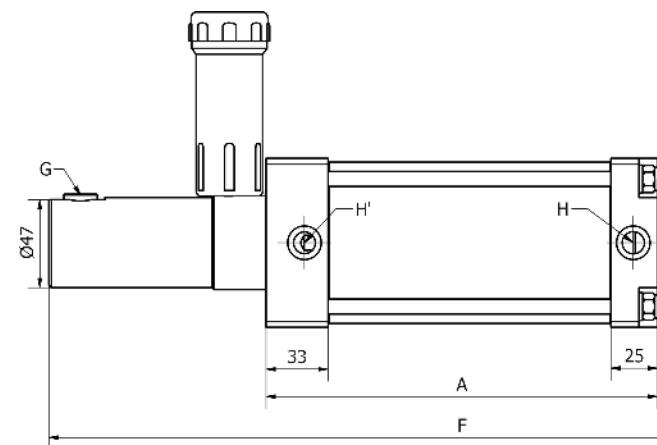
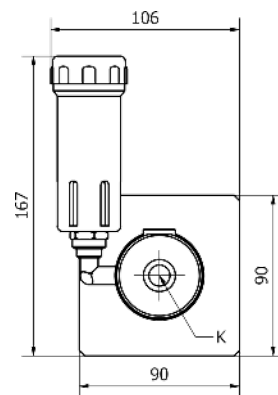
it is recommended to choose the double effect when we look a stake In the rest frank.

HIGH PRESSURE HYDRAULIC

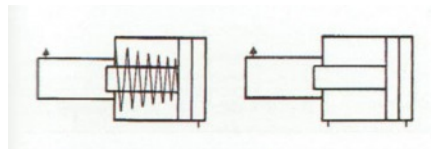
K opening (G1/4) intended mainly for the control (taken by pressure, Manometer, G Opening (G3/8) of power

MAJORITIES:

Assembly in all the position with reservoir of compensation vertical or separated from multiplier.



SYMBOL



Model	Type of return		Pressure Ratio	Oil pressure with		Oil flow cm3	Dimensions				
	RM	RP		8 bars	6 bars		A	F	G	H	H'
80.14.05		X	1/32	256	192	6	161	234	G1/4	G1/4	G1/4
80.22.05		X	1/13	104	78	18	161	234			
80.22.10		X	1/13	104	78	38	211	294			

Under reserves of technical modifications