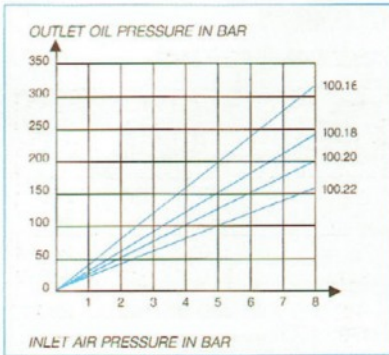


PRESSURE MULTIPLIERS TYPE 100



CURVE



APPLICATIONS:

Any application requiring the transfer of a capacity of oil determined in high pressure.

PNEUMATIC COMMAND:

H Opening G1/4 for version simple effect (RM)

H/H' Opening G1/4 for version double effet (RP)

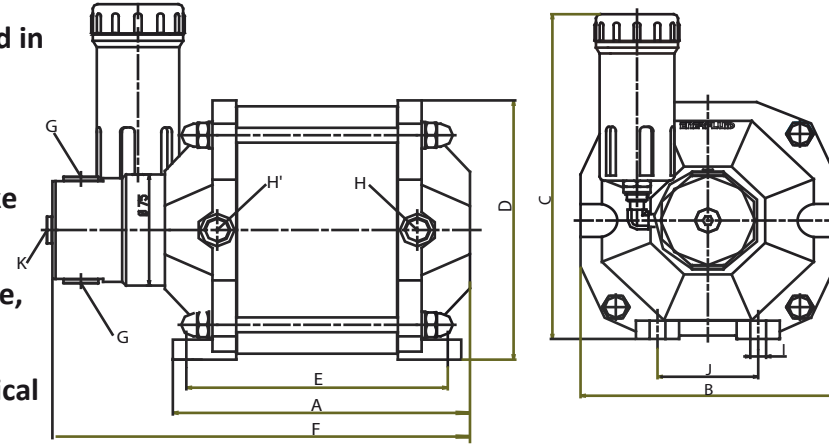
it is recommended to choose the double effect when we look a stake In the rest frank.

HIGH PRESSURE HYDRAULIC

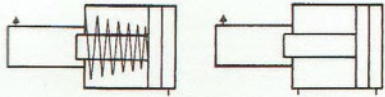
K opening (G1/4) intended mainly for the control (taken by pressure, Manometer, G Opening (G3/8) of power

MAJORITIES:

Assembly in all the position with reservoir of compensation (L) vertical or separated from multiplier.



SYMBOL



Under reserves of technical modifications

Model	Type of return		Pressure Ratio	Oil Pressure		Oil flow per stroke cm ³	DIMENSION										
	RM/1A	RP/1A		8 bars	6 bars		A	B	C	D	E	F	G	H	I	J	K
100.16.05	X		1/39	312	234	12	153	118.5	186	121	122	231	G1/4	G1/4	M8x15	50	G1/4
100.18.05			1/30	240	180	15											
100.20.05			1/25	200	150	18											
100.22.05			1/20	160	120	22											
100.16.05		X	1/39	312	234	12	153	118.5	186	121	122	231	G1/4	G1/4	M8x15	50	G1/4
100.16.10	20					203					172	331					
100.16.15	30					253					222	431					
100.18.05		X	1/30	240	180	15	153	118.5	186	121	122	231	G1/4	G1/4	M8x15	50	G1/4
100.18.10	25					203					172	331					
100.18.15	38					253					222	431					
100.20.05		X	1/25	200	150	18	153	118.5	186	121	122	231	G1/4	G1/4	M8x15	50	G1/4
100.20.10	32					203					172	331					
100.20.15	47					253					222	431					
100.22.05		X	1/20	160	120	22	153	118.5	186	121	122	231	G1/4	G1/4	M8x15	50	G1/4
100.22.10	38					203					172	331					
100.22.15	57					253					222	431					