

Air-Oil pressure multiplier 160.56.RM/RP



APPLICATIONS:

Any application requiring the transfer of a capacity of oil determined in high pressure.

PNEUMATIC COMMAND:

H Opening G3/8 for version simple effect (RM)

H/H' Opening G3/8 for version double effet (RP)

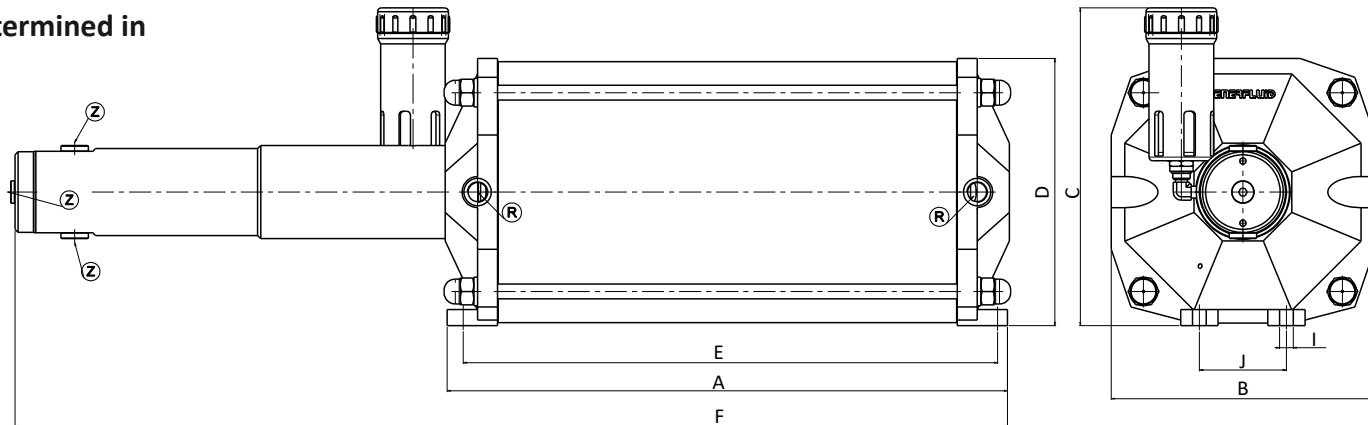
it is recommended to choose the double effect when we look a stake in the rest frank.

HIGH PRESSURE HYDRAULIC

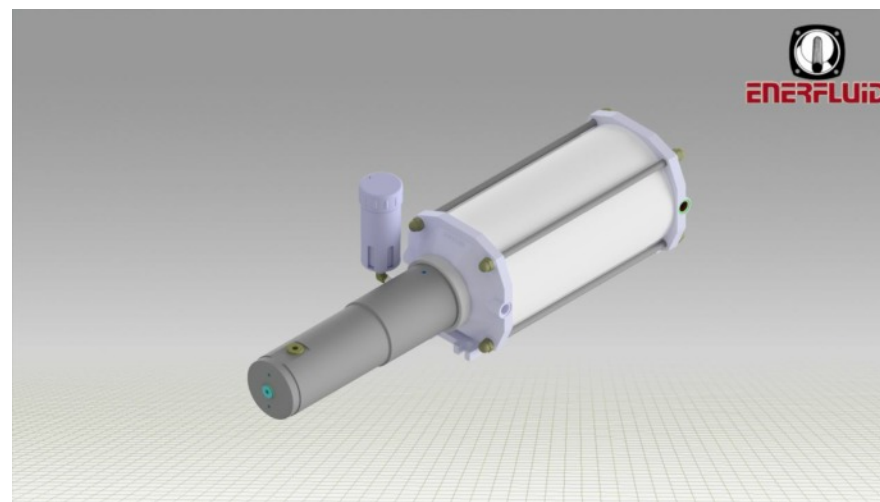
K opening (G1/4) intended mainly for the control (taken by pressure, Manometer, G Opening (G3/8) of power

MAJORITIES:

Assembly in all the position with reservoir of compensation (L) vertical or separated from multiplier.



Model	Type of return		Pressure Ratio	Oil Pressure at		Oil flow cm3	DIMENSIONS										
	RM	RP		8 bars	6 bars		A	B	C	D	E	F	I	J	R	Z	Z
160.56.25		X	1/8.16	65	49	585	380	177	240	175	365	705	12	70	G3/8	G3/8	G1/4
160.56.15	X		1/8.16	65	49	350	280	177	240	175	265	480	12	70	G3/8	G3/8	G1/4



Under reserves of tehcnical modifications