

Air/Oil Pressure Multiplier 200.20.RM



APPLICATIONS:

Any application requiring the transfer of a capacity of oil determined in high pressure.

PNEUMATIC COMMAND:

H Opening G3/8 for version simple effect (RM)

H/H' Opening G3/8 for version double effect (RP)

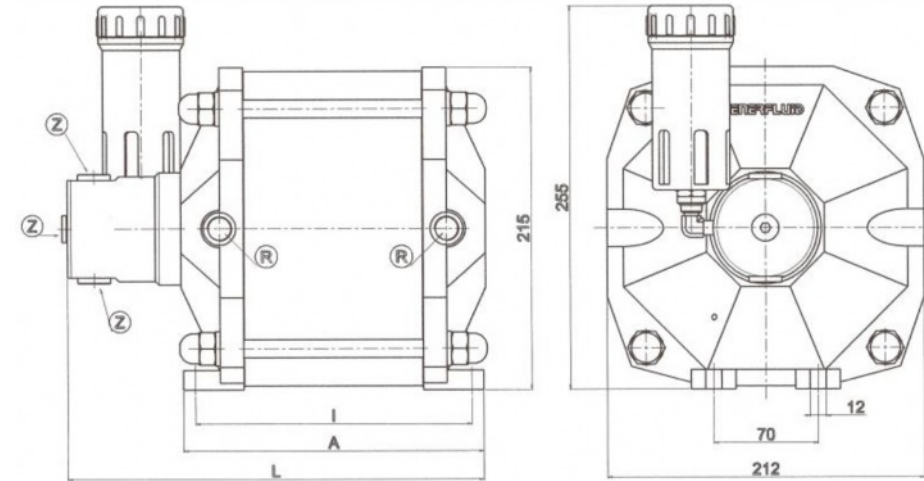
it is recommended to choose the double effect when we look a stake in the rest frank.

HIGH PRESSURE HYDRAULIC

K opening (G1/4) intended mainly for the control (taken by pressure, Manometer, G Opening (G3/8) of power

MAJORITIES:

Assembly in all the position with reservoir of compensation (L) vertical or separated from multiplier.



Model	Type of return		Pressure Ratio	Oil pressure		Oil flow cm ³	DIMENSIONS										
	RM	RP		8 bars	6 bars		A	B	C	D	E	F	G	H	I	J	K
200.20.05	X		1/100	800	600	12,5	200	212	255	215	285	280	G3/8	G3/8	12	70	G1/4
200.20.15	X		1/100	800	600	47	300	212	255	215	285	480	G3/8	G3/8	12	70	G1/4

Under reserves of tehcnical modifications

Technical Specifications:

Pneumatic Chamber : aluminium tube

Flange: Smelting made of aluminium

Piston: Aluminium

Piston rod: Hardened and cromated steel (C53)

Cylinder head: Steel

Tie rods-nuts: Steel

Gaskets: Polyuréthane NBR

