

Air/Oil Pressure Multiplier 200.22.15 RP



APPLICATIONS:

Any application requiring the transfer of a capacity of oil determined in high pressure.

PNEUMATIC COMMAND:

H Opening G3/8 for version simple effect (RM)

H/H' Opening G3/8 for version double effet (RP)

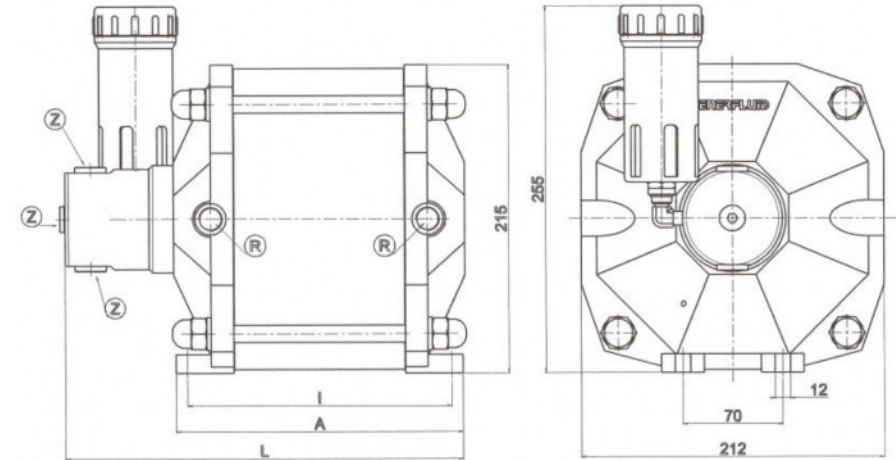
it is recommended to choose the double effect when we look a stake in the rest frank.

HIGH PRESSURE HYDRAULIC

K opening (G1/4) intended mainly for the control (taken by pressure, Manometer, G Opening (G3/8) of power

MAJORITIES:

Assembly in all the position with reservoir of compensation (L) vertical or separated from multiplier.



Model	Type of return		Pressure Ratio	Oil Pressure		Oil flow cm3	DIMENSIONS									
	RM	RP		8 bars	6 bars		A	B	C	D	I	J	L	R	Z	Z'
200.22.15		X	1/82	656	492	54	300	212	255	215	12	70	480	G3/8	G3/8	G1/4

Under reserves of tehcnical modifications

Technical Specifications:

Pneumatic Chamber : aluminium tube

Flange: Smelting made of aluminium

Piston: Aluminium

Piston rod: Hardened and cromated steel (C53)

Cylinder head: Steel

Tie rods-nuts: Steel

Gaskets: Polyuréthane NBR

