

# Air/oil Pressure Multiplier 200.50.15 RP



## APPLICATIONS:

Any application requiring the transfer of a capacity of oil determined in high pressure.

## PNEUMATIC COMMAND:

H Opening G3/8 for version simple effect (RM)

H/H' Opening G3/8 for version double effet (RP)

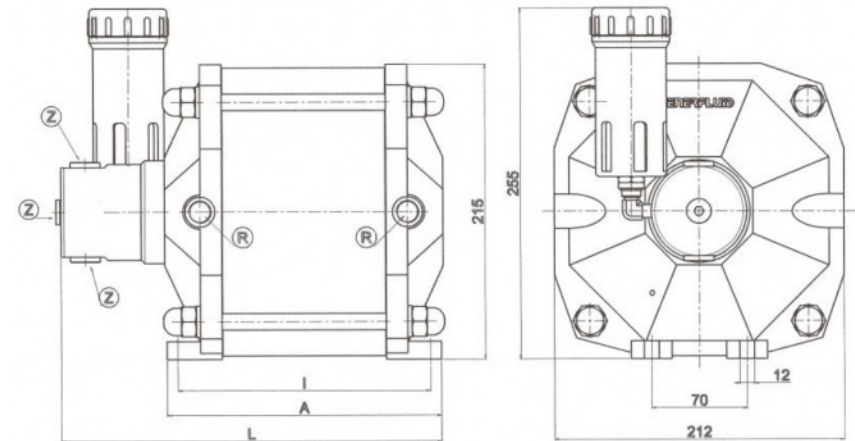
it is recommended to choose the double effect when we look a stake in the rest frank.

## HIGH PRESSURE HYDRAULIC

K opening (G1/4) intended mainly for the control ( taken by pressure, Manometer, G Opening (G3/8) of power

## MAJORITIES:

Assembly in all the position with reservoir of compensation (L) vertical or separated from multiplier.



Model	Type of return		Pressure Ratio	Oil pressure		Oil flow cm3	DIMENSIONS					
	RM	RP		8 bars	6 bars		A	I	L	R	Z	Z'
200.50.15		X	1/16	128	96	275	300	285	480	G3/8	G3/8	G1/4

Under reserves of tehcnical modifications

