

Air/Oil Pressure Multiplier 200.10.20 RP



APPLICATIONS:

Any application requiring the transfer of a capacity of oil determined in high pressure.

PNEUMATIC COMMAND:

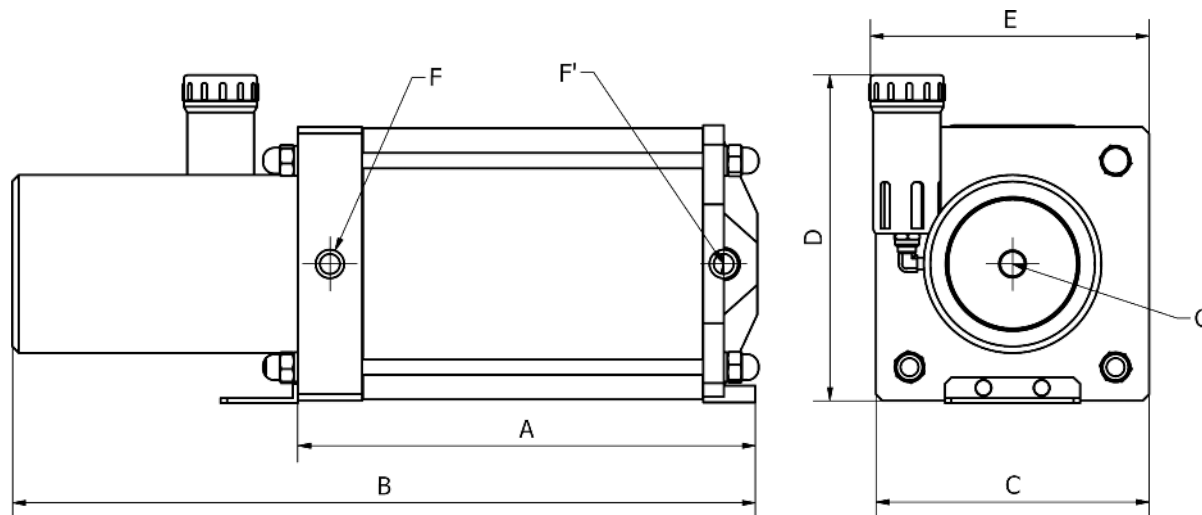
F/F' Opening G3/8 for version double effet (RP)
it is recommanded to choose the double effect when we look a stake in the rest frank.

HIGH PRESSURE HYDRAULIC

G Opening (G1/2) of power

MAJORITIES:

Assembly in all the position with reservoir of compensation (L) vertical or separated from multiplier.



Model	Type of return		Pressure Ratio	Oil Pressure		Oil flow cm3	DIMENSIONS							
	RM	RP		8 bars	6 bars		A	B	C	D	E	F	F'	G
200.10.20		X	1/4	32	24	1420	355	580	212	260	216.5	G3/8	G3/8	G1/2

Under reserves of tehcnical modifications

