

Air/Oil Pressure Multiplier 200.28.30 RP



APPLICATIONS:

Any application requiring the transfer of a capacity of oil determined in high pressure.

PNEUMATIC COMMAND:

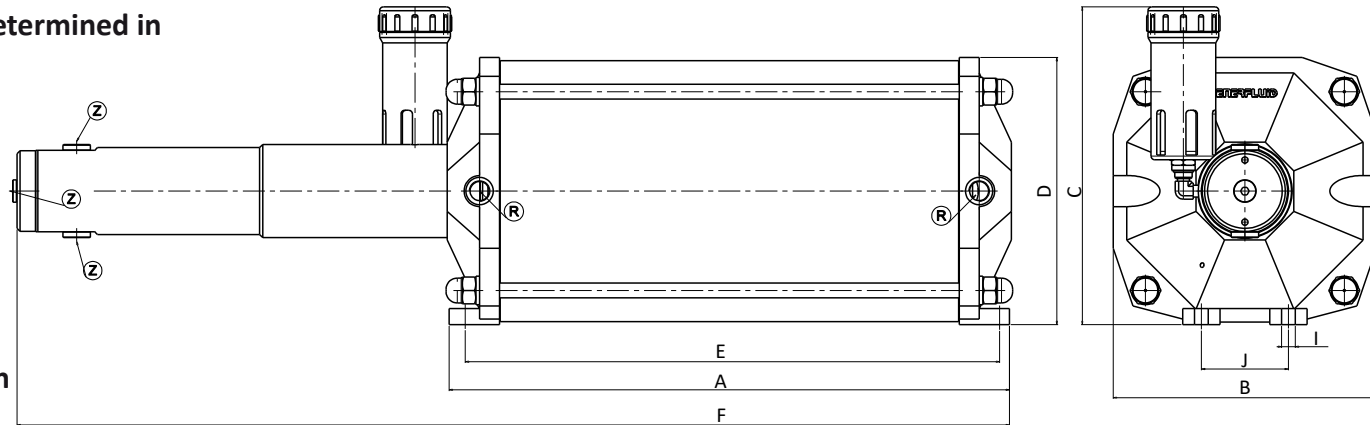
R/R Opening G3/8 for version double effet (RP) it is recommended to choose the double effect when we look a stake in the rest frank.

HIGH PRESSURE HYDRAULIC

Z opening (1x G1/4) intended mainly for the control (taken by pressure, Manometer, G Opening (2xG3/8) of power .

MAJORITIES:

Assembly in all the position with reservoir of compensation (L) vertical or separated from multiplier.



Model	Type of return		Pressure Ratio	Oil Pressure		Oil flow cm ³	DIMENSIONS										
	RM	RP		8 bars	6 bars		A	B	C	D	E	F	I	J	R	Z	Z
200.28.30		X	1/51	X	306	180	451	212	255	215	430	800	12	70	G3/8	G3/8	G1/4

Under reserves of tehcnical modifications

