

Air/Oil Pressure Multiplier 200.32.XX RP



APPLICATIONS:

Any application requiring the transfer of a capacity of oil determined in high pressure.

PNEUMATIC COMMAND:

H Opening G3/8 for version simple effect (RM)

H/H' Opening G3/8 for version double effet (RP)

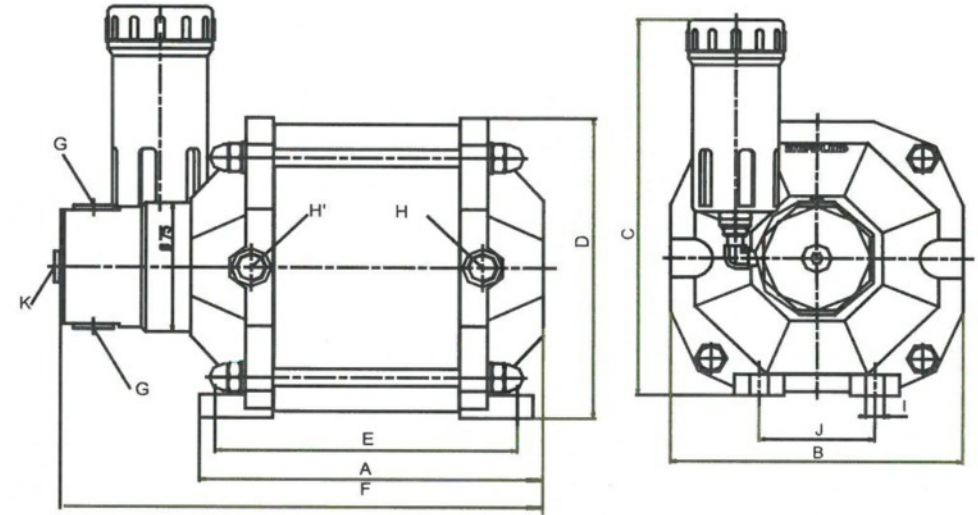
it is recommended to choose the double effect when we look a stake in the rest frank.

HIGH PRESSURE HYDRAULIC

K opening (G1/4) intended mainly for the control (taken by pressure, Manometer, G Opening (G3/8) of power

MAJORITIES:

Assembly in all the position with reservoir of compensation (L) vertical or separated from multiplier.



| Model | Type of return | | Pressure Ratio | Oil pressure | | Oil flow cm3 | DIMENSIONS | | | | | | | | | |
|-----------|----------------|----|----------------|--------------|--------|--------------|------------|-----|-----|-----|-----|-----|------|------|----|----|
| | RM | RP | | 8 bars | 6 bars | | A | B | C | D | E | F | G | H | I | J |
| 200.32.18 | | X | 1/39 | 312 | 234 | 145 | 331 | 212 | 255 | 215 | 290 | 540 | G3/8 | G3/8 | 12 | 70 |
| 200.32.30 | | X | 1/39 | | | 216 | 442 | | | | 418 | 792 | | | | |
| 200.32.35 | | X | 1/39 | | | 260 | 490 | | | | 465 | 890 | | | | |
| 200.32.40 | | X | 1/39 | | | 300 | 540 | | | | 520 | 990 | | | | |

Under reserves of tehcnical modifications

