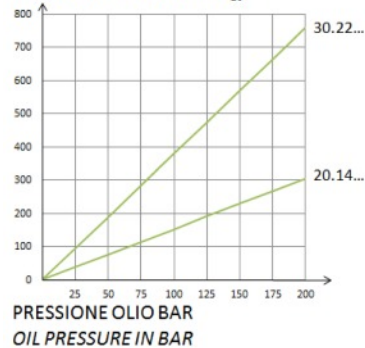


Outer Thread Cylinder (Spring Return)



Diagram

SFORZO TEORICO IN Kgf
THEORETICAL FORCE IN Kgf.



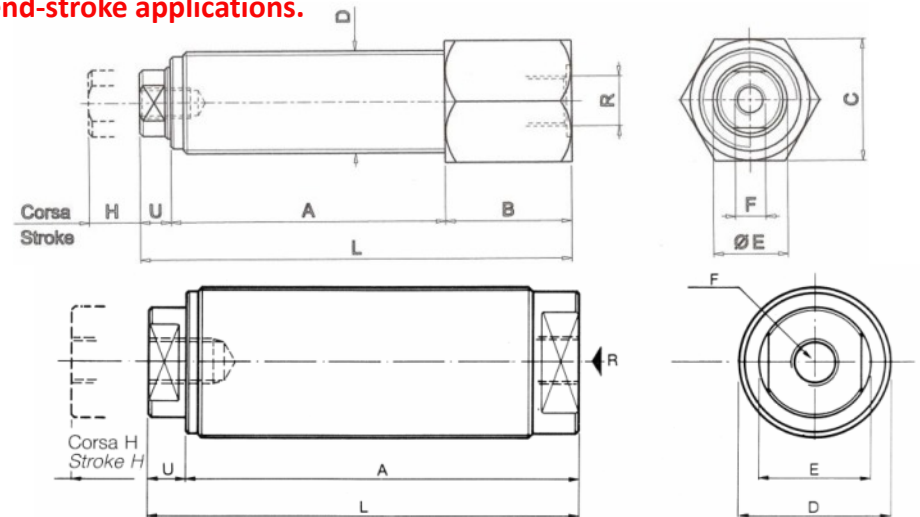
SYMBOL



Description:

Small-size thrust cylinder with outer thread for easy application to toolings. With their small size and high thrust force, they are ideal for locking small-and medium size parts. Can be completed with special supports, ring nuts and test prods. Normally controlled by pressure multipliers.

Do not use for end-stroke applications.



Model	Force at 200 bars Kn	Stroke H mm	Oil Volume cm ³	Pistone Area cm ²	Dimensions									
					A	B	C	D	E	F	H	L	U	R
20.14.05/B	3.07	5	0.76	1.53	33	25	24	M20X1.5	14	M6x10	5	64	6	G1/8
20.14.15/B		15	2.30		54	25					15	85		
20.14.25/B		25	3.80		83	33					25	122		
30.22.05A	7.60	5	1.80	3.8	57	-	-	M30x1.5	22	M8X10	5	64	7	G1/8
30.22.15A		15	5.70		77	-					15	84		
30.22.25A		25	9.50		110	-					25	117		

Under reserves of technical modifications